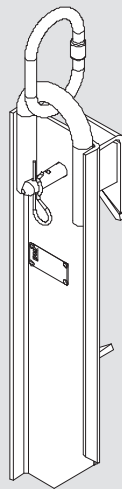
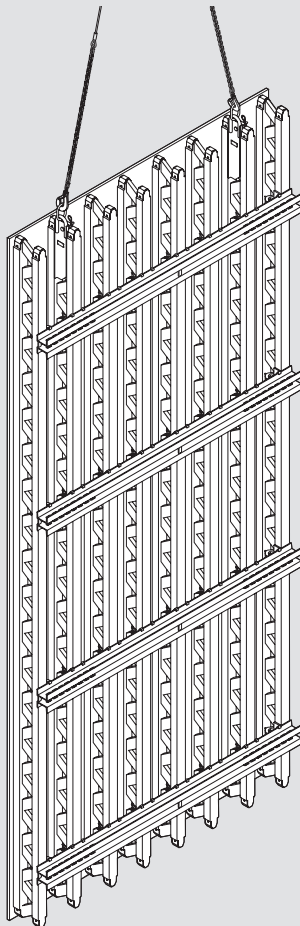


Crane Splice 24

Item no. 070760

Translation of the Original Instructions



Content

Introduction

Overview	1
Safety Instructions	2
Intended Use	4
Checks and Inspections	5

Application

Classification	6
Load-bearing capacity	7
Assembly	8
Transport of load	9
Dismantling	10

Appendix

Components	12
EC Declaration of Conformity	13

Key



Safety Instructions



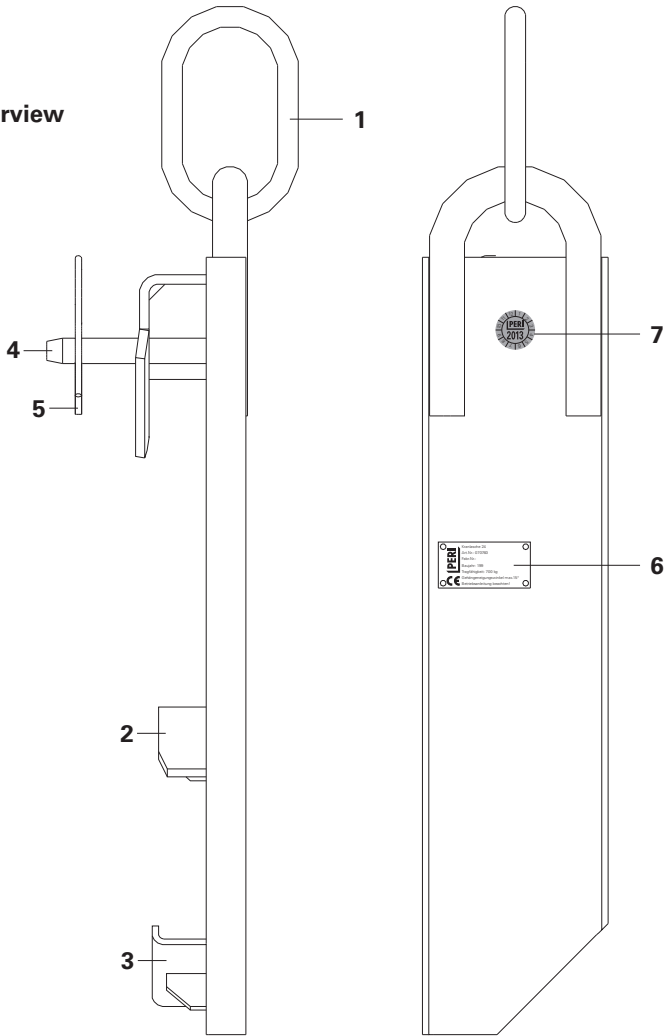
Visual Check



Note

Introduction

Overview



- (1) Crane Eye
- (2) Contact Plate
- (3) Angle Bracket
- (4) Pin Ø 16x65/86

- (5) Cotter Pin FS 4/1
- (6) Type Plate
- (7) Inspection Plate

Introduction

Safety Instructions

General

1. Deviations from the intended use present a potential safety risk!
2. When using PERI load-carrying equipment, the Instructions for Use and details provided on the type plate are always to be taken into consideration!
3. Without exception, all country-specific regulations, standards and other safety regulations must be observed at all times!
4. The contractor must ensure that the Instructions for Use provided by PERI are available and easily accessible for site personnel throughout the duration of the project!
5. The contractor can only assign those persons to independently use the load-carrying equipment who are actually familiar with the task!
6. PERI load-carrying equipment is to be used accordingly so that persons are never put at risk in any way!
7. Only sufficiently load-bearing and even storage or stacking areas are to be used!
8. The maximum bearing capacity of PERI load-carrying equipment must not be exceeded!
9. PERI load-carrying equipment must be protected against the effects of the weather and aggressive materials if safety is then likely to be affected!
10. All persons using the load-carrying equipment must check the equipment during use for obvious defects (e.g. deformations, cracks, breaks, incomplete markings)!
11. Damaged or defective load-carrying equipment must not be used!
12. PERI load-carrying equipment may not be used with missing or illegible type plate and/or inspection sticker!

Introduction

Safety Instructions

Product-specific

1. The person who attaches the load to the load-carrying equipment must be sufficiently secured against falling. The load is to be secured against tipping over and sliding!
2. Ensure that loads are evenly balanced when being picked up! Loads must be sufficiently stable both in their form and position so that the load does not move during transportation!
3. Loads are to be moved with the load-carrying equipment only during calm or light wind conditions! Safe moving of the elements must be ensured at all times!
4. Depending on the wind-exposed surface of the load and the wind speed, safety can be affected during transportation! A decision regarding safe use is to be taken on site!
5. Persons are not to be transported!
6. Ensure that the load is in a safe and secure position before releasing the load-carrying equipment!
7. Always lift up or set down loads smoothly without any jerking!
8. During the lifting and moving procedure, ensure that all loose parts are removed or secured!
9. During transport and storage, the load-carrying equipment must be positioned and secured so that it cannot fall off or slide. Do not place any loads on the load-carrying equipment!
10. Ensure that the steel wire ropes and chains remain knot-free! Neither wrap the lifting chains of the load-carrying equipment around the load to be transported nor stretch over sharp edges! Twisted chains must be straightened!
11. The transport of horizontal stacks is not allowed!

Introduction

Intended Use

1. PERI products have without exception been designed for use in the industrial and commercial sectors by suitably trained personnel.

2. These Instructions for Use contain information to ensure a correct handling and application.

3. The product described here is load-carrying equipment and serves exclusively for the lifting and moving of panel units of the PERI Girder GT 24, such as RUNDFLEX, VARIO, VARIO column formwork.

4. For use in ambient temperatures from -20°C to +60°C.

5. Changes and modifications to PERI components are not permitted and represent a misapplication with associated safety risks.

6. Components provided by the contractor must conform with the characteristics required in these assembly instructions as well as all valid construction guidelines and standards.

In particular, the following applies if nothing else is specified:

- timber components: Strength Class C24 for Solid Wood EN 338.
- scaffold tubes: galvanised steel tubing with minimum dimensions $\varnothing 48.3 \times 3.2$ mm according to EN 12811-1:2003 4.2.1.2.
- scaffold tube couplings according to EN 74.

7. Only PERI original components may be used. The use of other products, especially as spare parts, represents a misapplication with associated safety risks.

8. The product described here corresponds to the relevant provisions and regulations of EU Directive 2006/42/EC.

9. These Instructions for Use serve as the basis for the project-related risk assessment as well as instructions for the provision and use of the system by the contractor (user). However, they don't replace them.

Introduction

Checks and Inspections

1. General

According to §3 Paragraph 3 of the Industrial Safety Regulations, the contractor is responsible for determining the type, range and deadlines regarding the required checks to be carried out on the work equipment. As a result of these checks, any safety-related defects are to be systematically identified and remedied.

2. Purpose

Due to the check carried out before the initial operations as well as regularly recurring inspections of the load-carrying equipment, it can be ensured that operational and functional reliability is guaranteed.

3. Responsibility

The contractor must ensure that the load-carrying equipment is put into operation only if it has been inspected by a qualified person and that any defects noted have been corrected and all non-functional equipment has been replaced.

4. Inspection

4.1 Instigating the safety inspection

The contractor arranges for an inspection to take place before initial operations of the load-carrying equipment begin which is to be carried out by a suitably qualified person.

4.2 Implementing the inspection

The inspection includes a visual and functional check.

Visual Check

- deformation and wear of all parts
- mechanical damages
- availability of all components
- damage due to corrosion
- cracks on welding seams and individual components

Functional Check

- free and easy movement of moving parts
- locking system works correctly
- safety pawls and safety hooks engage
- eyes or shackles for fastening purposes are usable

Implementation of anything beyond the usual scope of inspection is subject to the discretion of the competent person and can extend to additional checks.

4.3 Measures

If any defects are determined during the safety inspection, they must be eliminated according to the instructions provided by the inspector. A new inspection is subsequently to be carried out.

Only PERI original components may be used as spare parts.

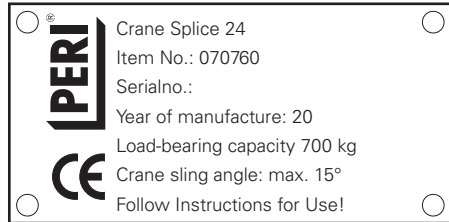
Application

Classification Crane Splice 24

Type Plate



Do not use the Crane Splice 24 if the type plate is missing or unreadable!



Inspection Plate



Do not use the Crane Splice 24 if the inspection plate is missing or unreadable!

Arrange for an inspection to be carried out by a qualified person and then mount a new type plate and/or inspection sticker!



Application

Load bearing capacity Crane Splice 24



Moving of other products is not permitted!

Perm. load capacity: 700 kg

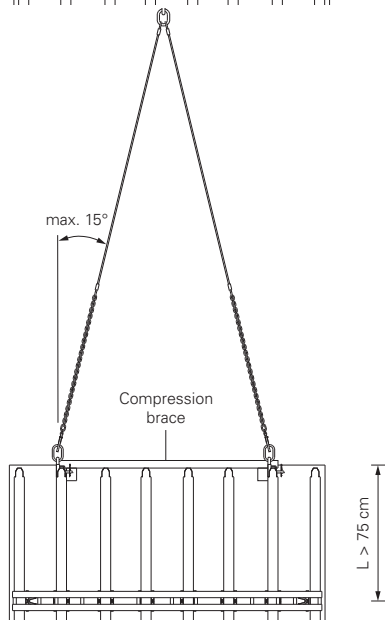
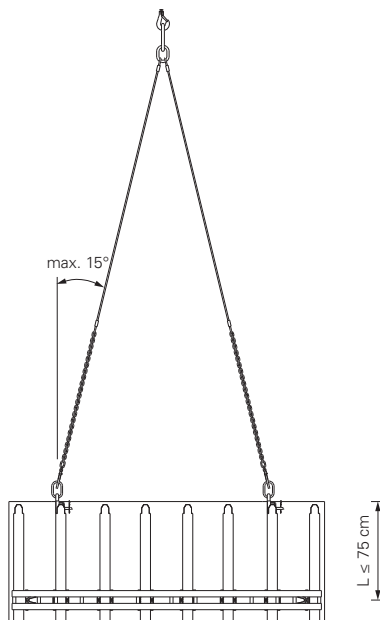
Max. crane sling angle = 15°

The cantilever length of the girder must not exceed $L \leq 75$ cm.

**Load Factor: 3
(according to DIN 13155)**



If the cantilever length > 75 cm, a compression brace must be installed.



Application

Assembling Crane Splice 24



Overloading! Always attach 2 Crane Splices 24 symmetrically to the load centre of gravity!

1. Release cotter pin (5), loose and remove pin (4) and insert Crane Splice 24 from above, at a slightly angled position, on the end strut of the GT 24 girder.
2. Swivel contact plate (2) and angle bracket (3) between the girder struts.
- (Fig. 1a)
3. Pull Crane Splice 24 upwards until the angle bracket (3) encircles the struts of the GT 24 girder.
- (Fig. 1b)
4. Insert pin (4) into the Crane Splice 24 and secure using the cotter pin (5).
- (Fig. 1b)

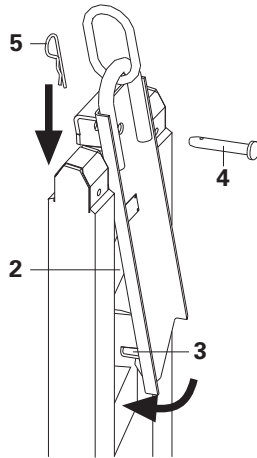


Fig. 1a

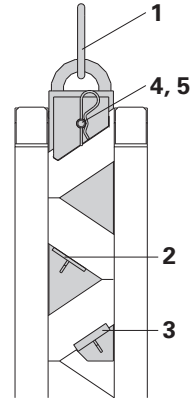


Fig. 1b



Mounting position of the different hook straps: take top waler line into consideration! (Fig. 2a + 2b)



- Check formwork element:
- dimensionally stable
 - connecting part / steel waler
 - undamaged GT 24 girders

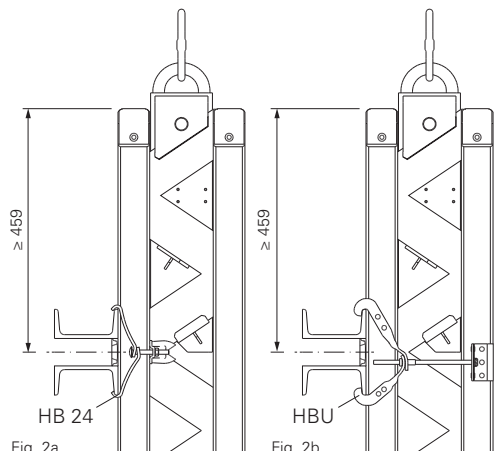


Fig. 2a

Fig. 2b

Application

Transport of load

Before lifting:



Check position of the Crane Splice 24 at the element.
(Fig. 3 + Fig. 4)

During transportation:



Never stay under lifted loads!

After concreting:



Do not release the panels from the concrete with the crane!

Setting down:

Never set the load down abruptly.
Do not set down Crane Splice 24 on any obstacles.

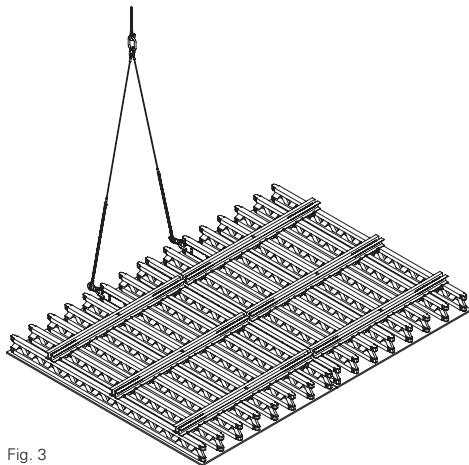


Fig. 3

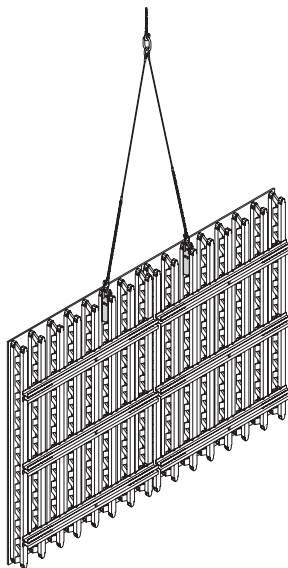


Fig. 4

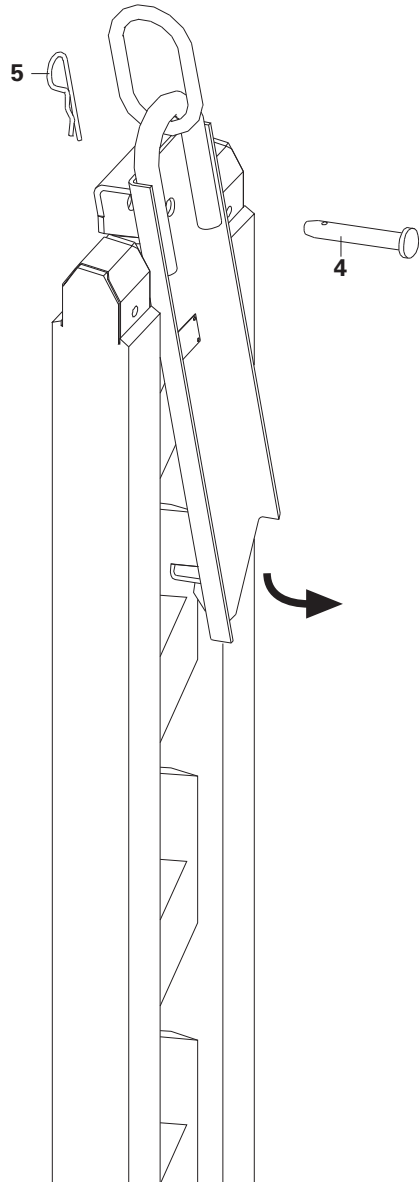
Application

Dismantling Crane Splice 24



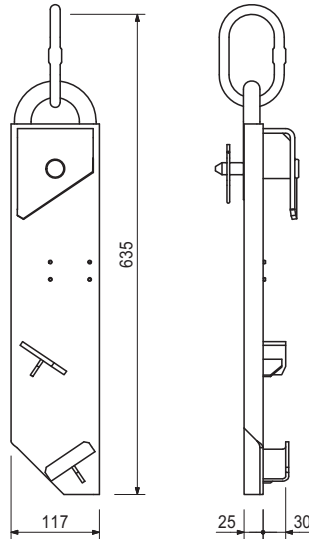
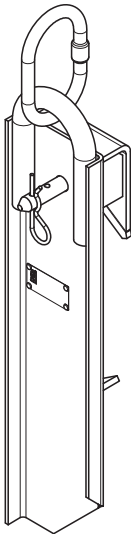
Panel can tip over! Support the panel and then release the Crane Splice 24!

1. Release the cotter pin (5), remove pin (4) and then push the Crane Splice 24 in a downward direction.
2. Pivot out sideways, extract and then fix pins and cotter pins in the Crane Splice 24.



Components

Item no.	Weight kg		
070760	4,650	Crane Splice 24 For transporting panels with GT 24 girders by crane.	Complete with 1 pc. 018050 Bolt Ø 16 x 65/86, galv. 1 pc. 018060 Cotter Pin 4/1, galv. Technical data Load-carrying capacity with a crane sling angle $\leq 15^\circ$ 0.7t. Safety Instructions Always use 2 crane splices per transportation unit. Follow Instructions for Use.



EC Declaration of Conformity

This document is a translation into English from the German original.

EC Declaration of Conformity as defined in EU Directive 2006/42/EC Appendix II, Part 1, Section A

We hereby declare that the following product, due to its design and type as well as the form in which it is marketed, conforms to the relevant basic health and safety requirements of the above-mentioned EU Directive. Any modifications to the product which we have not agreed to will invalidate this declaration.

Crane Splice 24, Item no. 070760

Relevant EU Directive:

EU Machine Guidelines 2006/42/EC

Applied European standards:

EN 12812, EN 13155, EN 12100

Applied national standards and technical specifications:

DIN 1052, DIN 1055, DIN 18800-7, DIN 15429, DIN 685-2

Weißenhorn, den 08.01.2013

Manufacturer

PERI GmbH
P.O. Box 1264
89259 Weissenhorn /
Germany

**Technical Documentation
Officer**

Dipl.-Ing. Rainer Bolz
PERI GmbH

Head of Product Development

Dipl.-Ing. Rainer Bolz
PERI GmbH

**The optimal
System for every
Project and every
Requirement**



Wall Formwork



Column Formwork



Slab Formwork



Climbing Systems



Bridge Formwork



Tunnel Formwork



Shoring Systems



Construction Scaffold



Facade Scaffold



Industrial Scaffold



Access



Protection Scaffold



Safety Systems



**System-Independent
Accessories**



Services



**PERI GmbH
Formwork Scaffolding Engineering**

Rudolf-Diesel-Strasse 19
89264 Weissenhorn
Germany
Tel. +49 (0)7309.950-0
Fax +49 (0)7309.951-0
info@peri.com
www.peri.com