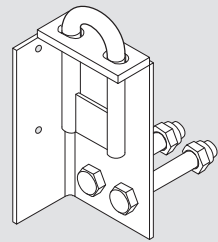
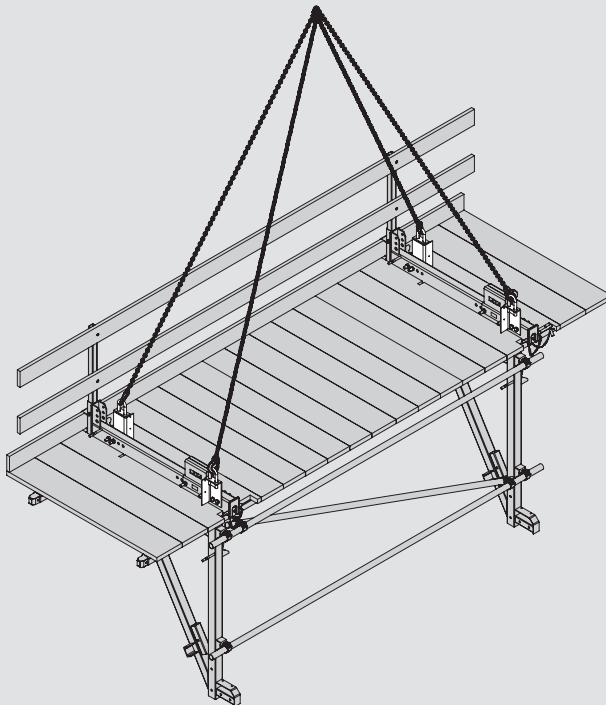


Platform Connection CB 160

Item no. 051120

Translation of the Original Instructions for Use



Content

Introduction

Overview	1
Safety Instructions	2
Intended Use	4
Misapplications	5
Residual Risks	5
Storage and Transportation	6
Care and Maintenance Instructions	6
Checks and Inspections	7
Markings	9

Application

Load-bearing capacity	10
Assembly	12
Transport of load	15
Dismantling	16

Appendix

Components	17
EC Declaration of Conformity	18

Key



Safety instructions



Note



Tip



Use rope protection



Visual check



Load-bearing point



Use hand protection



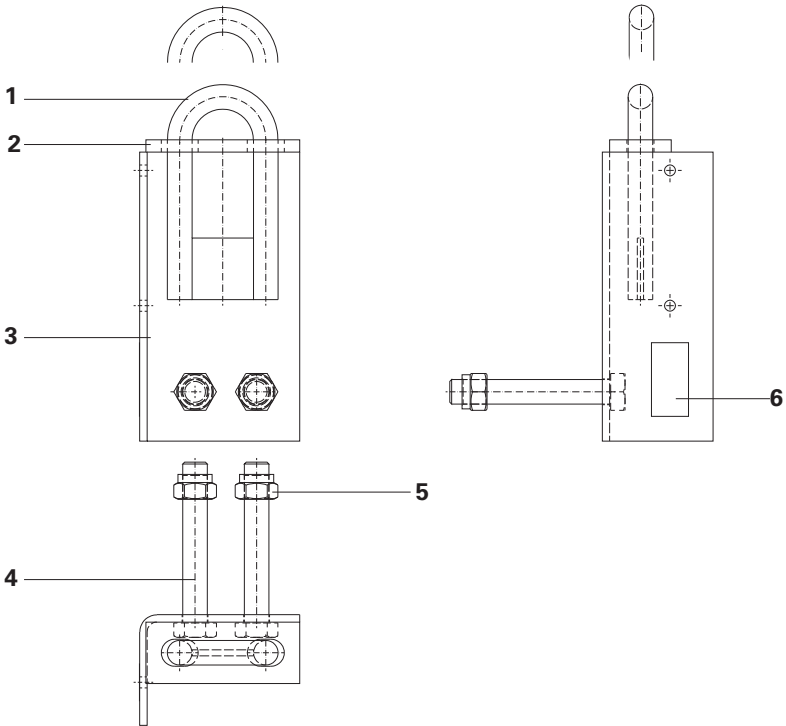
Use safety helmet



Use foot protection

Introduction

Overview



- (1) Crane D-Ring
- (2) Limit Stop
- (3) Angle Plate
- (4) Bolt ISO 4014 M20 x 130
(2 pieces)

- (5) Nut ISO 7042 M20-8-VZ
(2 pieces)
- (6) Type Plate

Introduction

Safety Instructions

General

PERI products have been designed for exclusive use in the industrial and commercial sectors only by suitably trained personnel!

When using PERI load-carrying equipment, the Instructions for Use as well as the information on the Type Plate must be observed!

For the application and inspection of our products, the current safety regulations and guidelines must be observed in the respective countries where they are being used!

The contractor must ensure that the assembly instructions provided by PERI are available at all times for the users as well as ensuring they are also fully understood!

The contractor can only assign those persons to independently use load-carrying equipment who are actually familiar with the task!

PERI load-carrying equipment is to be used accordingly so that persons are never put at risk in any way!

The maximum bearing capacity of PERI load-carrying equipment must not be exceeded!

PERI load-carrying equipment must be protected against the effects of the weather and aggressive materials if safety is then likely to be affected!

All persons using the load-carrying equipment must check the equipment during use for obvious defects (e.g. deformations, cracks, breaks, incomplete markings)!

Do not use damaged load-carrying equipment!

PERI load-carrying equipment may not be used with missing or illegible type plate and/or inspection sticker!

The contractor must ensure that the minimum requirements regarding personal protective equipment are fulfilled:

- protective gloves
- protective helmet
- safety shoes

Introduction

Safety Instructions

Product-specific

The person who attaches the load to the load-carrying equipment must be sufficiently secured against falling. In all cases, the load must be secured against falling over and sliding!

Move loads only during the presence of safe wind forces. Observe storm warnings! Depending on the type of load and the surface area subjected to wind attack, the decision whether sufficient safety is in place when moving the load is taken at the time on the jobsite.

Use the specified load-carrying equipment for moving loads. Before each lifting procedure begins, check that the load is securely connected to the lifting gear.

Ensure loads are evenly balanced when being picked up! Loads must be sufficiently stable both in their form and position so that the load does not move during transportation!

Ensure that the load is in a safe and secure position before releasing the load-carrying equipment!

Always lift up or set down loads smoothly without any jerking!

Before moving, remove or secure any loose components!

Ensure that the steel wire rope or chains are free of knots! Ensure that the lifting chains of the load-carrying equipment are not wrapped around the load to be transported nor stretched over sharp edges! Twisted chains must be straightened!

Transporting persons on the load is prohibited!

Components provided by the contractor must meet site-related requirements and comply with all applicable laws and standards.

- Timber components: Strength Class C24 for Solid Wood according to EN 338.
- Scaffold tubes: galvanised steel tubing with minimum dimensions $\text{Ø } 48.3 \times 3.2 \text{ mm}$ according to EN 12811-1:2003 4.2.1.2.
- Scaffold tube couplings according to EN 74.

Introduction

Intended Use

The Platform Connection CB 160 serves as a load-bearing point for accommodating tensile forces. It may only be transported by crane. It is used as a connection between the working platform and lifting gear.

The Platform Connection CB 160 is not used in continuous operations and, after being mounted on the Climbing Bracket CB 160, is an integral part of the load.

The Platform Connection CB 160 may be permanently fixed to the Climbing Bracket CB 160 only at the designated points.

Furthermore, timber can also be attached to the Platform Connection CB 160. Girders can be fixed on the timber to form a working platform.

These Instructions for Use contain information for ensuring proper handling and correct application, inspection and maintenance.

The product described here corresponds to the relevant provisions and regulations of EU Machinery Directive 2006/42/EC. These Instructions for Use serve as the basis for the project-related risk assess-

ment as well as instructions for the provision and use of the system by the contractor (user). However, they do not replace them.

The Platform Connection CB 160 may only be used:

1. Within the permissible load-bearing capacity.
2. Within the permissible temperature limits of -20 °C to $+60\text{ °C}$.
3. When in faultless condition.
4. If correctly mounted.

Introduction

Misapplications

The use in a way not intended or deviating from the intended use according to the Instructions of Use represents a misapplication with a potential safety risk.

Changes to PERI components are not permitted and represent a misapplication with associated safety risks.

Only PERI original components may be used. The use of other products and spare parts represents a misapplication with associated safety risks.

Residual Risks

The materials and components fully comply with all valid safety regulations at the time when they were first available on the market. Nevertheless, a residual risk cannot be ruled out in the case of exceptional circumstances.

Introduction

Storage and Transportation

Store and transport the load-carrying equipment in a way that its position cannot unintentionally be changed nor be damaged in any way.

Do not drop the load-carrying equipment.

During the moving procedure with the crane, ensure that components are picked up and set down so that unintentional falling over, falling apart, sliding or rolling is avoided.

Do not place any loads on the load-carrying equipment.

Use original PERI storage and transport systems, e.g. crate pallets.

Store them being cleaned and protected against corrosion, at temperatures of -20 °C to +60 °C in a dry place.

Please take care that PERI storage and transport systems do not become dirty or affected during transportation, intermediate storage or due to remaining attached to the load.

Care and Maintenance Instructions

The load-carrying equipment has been designed for long-term use on the construction site.

In order to maintain the value and operational readiness over a long period of time, it is important that it is carefully handled at all times. This is necessary so that a cost-effective and technically-sound use is guaranteed over the intended duration of use.

Repairs are to be carried out through PERI. Only original PERI components are to be used.

Maintenance or the replacement of worn components is essential if there are signs of any visible damage.

Introduction

Checks and Inspections

1. General

The procedure described in this section conforms with the current German regulations regarding checks and inspections.

Without exception, the respective regulations of the individual states and countries where this product is used must be taken into account.

The contractor is responsible for determining the type, scope and deadlines regarding the required checks to be carried out on the work equipment. As a result of these checks, any safety-related defects are to be systematically identified and remedied.

2. Purpose

Due to the check carried out before the initial operations as well as regularly recurring inspections of the load-carrying equipment, it can be ensured that operational and functional reliability is guaranteed.

3. Responsibility

The contractor must ensure that the load-carrying equipment is put into operation only if it has been inspected by a qualified person and that any defects noted have been corrected and all non-functional equipment has been replaced.

Introduction

Checks and Inspections

4. Inspections

4.1 Safety check

The contractor arranges for an inspection to take place before initial operations of the load-carrying equipment begin which is to be carried out by a suitably qualified person.

4.2 Implementing the inspection

The inspection includes a visual and functional check.

- Deformation and elongation of the components.
- Wear in excess of 10%.
- Mechanical damage.
- Availability of all components.
- Damage due to corrosion.
- Cracks, pressure points, indentations on weld seams and components.
- Only PERI original components are to be used.
- Signs of non-permissible heat treatment or exposure to fire.

4.3 Functional check

Check the free and easy movement of moving parts. The crane D-ring (1) must move easily and without tilting (Overview Page 1) in the limit stop (2).

Implementation of anything beyond the usual scope of inspection is subject to the discretion of the competent person and can extend to additional checks.

4.4 Measures

If any defects are determined during the safety inspection, they must be eliminated according to the instructions provided by the inspector. A new inspection is subsequently carried out.

4.5 Inspection before working operations begin

- Check Platform Connection CB 160 for any defects.
- Ensure that the Platform Connection CB 160 is securely in position.
- Ensure lifting gear is correctly attached.
- Initially raise and lower the working scaffold or working platform only a short distance from the ground, then set down and eliminate any tension.
- Check that the Platform Connection CB 160 is securely in position.

Introduction

Markings

Markings of the Platform Connection CB 160.

Type Plate



Important

Do not use the Platform Connection CB 160 if the type plate is missing or illegible!



Fig. 1

Application

Load-bearing capacity



Danger

- Moving of other products with the Platform Connection CB 160 is not permitted!
- Do not transport persons!
- Do not stand under suspended loads!

- Perm. load-bearing capacity of each Platform Connection CB 160:
F1 = 5 kN (500 kg)
 (Fig. 2)

- Max. crane sling angle:
 $\beta = 30^\circ$
 (Fig. 2 + 4)

- Load Factor: **3**
 (according to DIN 13155 = ratio of the breaking load to the permissible load-bearing capacity)



Before attaching

Firmly secure two Platform Connections CB 160 to the Climbing Bracket CB 160 (7).
 (Fig. 2)

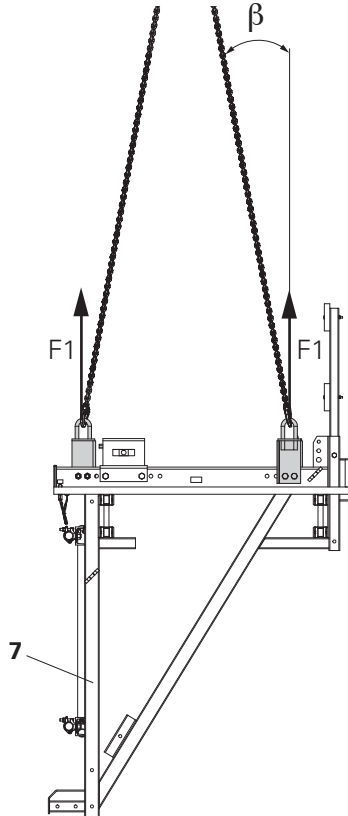


Fig. 2

Application

Attaching

Attach the crane sling hook (H) to the crane D-ring of the Platform Connection CB 160, and close.

(Fig. 3)



For transporting the platform assembly, only a four-sling lifting gear with chains of sufficient length and securing mechanism may be used!

(Fig. 4)

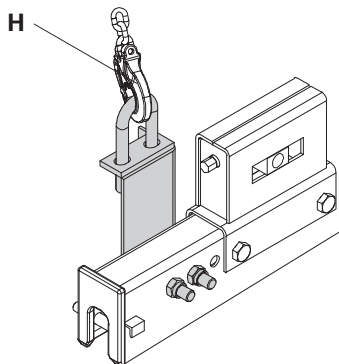


Fig. 3

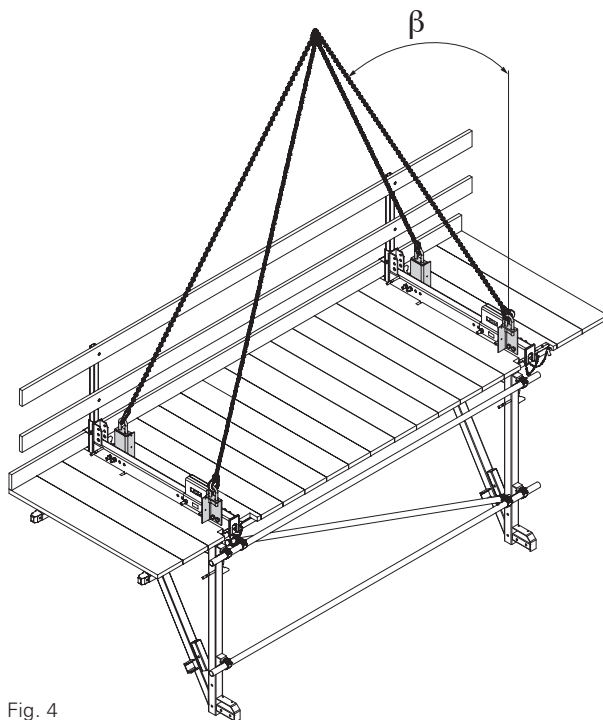


Fig. 4

Application

Assembly



Important

Always attach two Platform Connections CB 160 to the Climbing Bracket CB 160!

5	Nut ISO 7042 M20-8, galv.	4x
3	Angle plate	2x
4	Hex. Bolt ISO 4014 M20 x 130-8.8, verz.	4x

1. Release Nuts (5) M20 (SW 30).
2. Attach two Hex. Bolts (4) M20 (SW 30) through the angle plate (3) and CB 160 Climbing Bracket (7) on the left and right sides. (Fig. 7)
3. Tightly screw on nuts (5).



Take the correct installation situation of different assembly versions into account! See Assembly Instructions for Climbing Formwork CB 160.



Check the connection of the Platform Connection CB 160 to the Climbing Bracket CB 160:

- dimensional stability,
- undamaged components,
- no missing components.

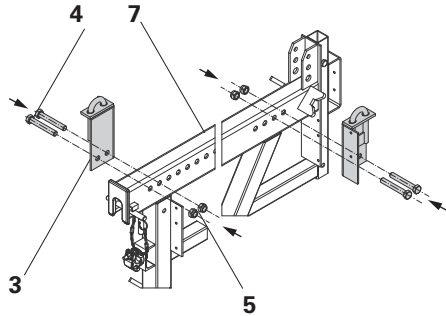


Fig. 5

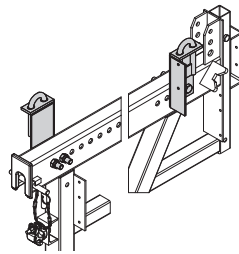


Fig. 6

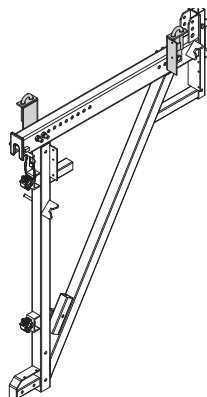


Fig. 7

Application

Assembly versions

Position of the Platform Connection CB 160:

- on the Climbing Bracket CB 160 (7).
- inner wall side (11a).
- external guardrail side (11b).
- under the platform decking (9).

Assembly of the sub-structure

The following components are required for the sub-structure:

8	Height of timber $h = 160 \text{ mm}$	2x
	Width of timber $b = \text{variable}$	
8.1	Hex. wood screws $6 \times 60 \text{ DIN } 571$ (per Platform Connection CB 160)	8x

Mount timbers on the angle plate (3) of the Platform Connection CB 160 by means of two wood screws (8.1). (Fig. 8 – 8a)



Assembly of the working scaffold or the working platform, as well as the choice of timber dimensions ($h \times b$), are described in the Climbing Formwork CB 160 assembly instructions.

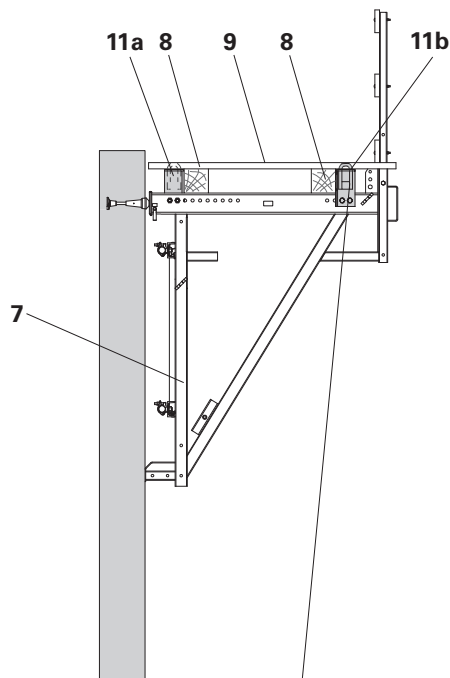


Fig. 8

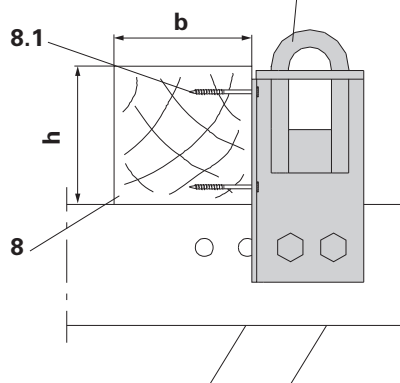


Fig. 8a

Application

Mounting on climbing formwork



Attention

- Crane slings should not be attached to the Climbing Platforms CB 160 on assembled formwork, otherwise there is a risk of tipping. (Fig. 9)
- If the lifting gear is incorrectly attached to the climbing formwork, this can result in staff injury or damage of the materials!
- Attach climbing formwork to be moved (moving unit comprises formwork with platform) to the top end of the strongback (11)!
- Remove Platform Connection CB 160 before assembling the strongback (11) in order to prevent any misapplication. (Fig. 9b + 9c)

The Platform Connection CB 160 (Fig. 9a) can be attached to the Platform Bracket CB 160 (7) for positioning the working platform on the building. The Platform Connections CB 160 are subsequently removed.

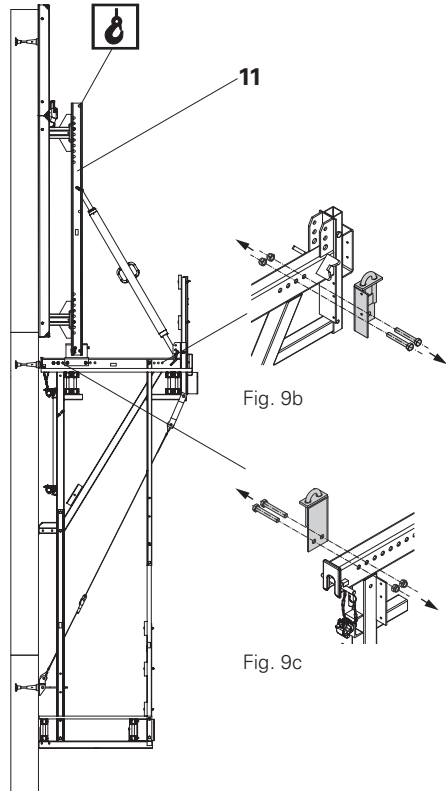


Fig. 9

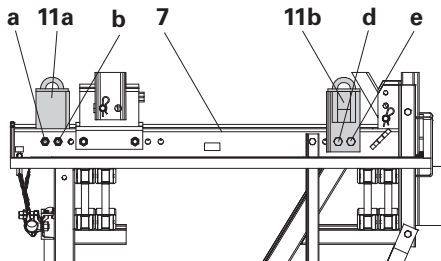


Fig. 9a

Application

Transport of load

Before lifting



Important

- Carefully tension the lifting gear before lifting takes place!
- Ensure lifting is carried out smoothly (no jerking)!
- When attaching the lifting gear, check that the Platform Connection CB 160 is securely positioned on the Climbing Bracket CB 160.

During transportation



Attention

- Do not stand under suspended loads!
- Do not transport persons!
- Do not transport any loose parts or other loads!
- Risk of falling components!



Carefully lift the platform and move into position on the next wall section by means of a guide rope.



When lifting, putting down, positioning and transporting, site personnel must wear personal protective equipment.



Important

- Never set the load down abruptly!
- Never set down load on obstacles!
- Never set down load on uneven surfaces!

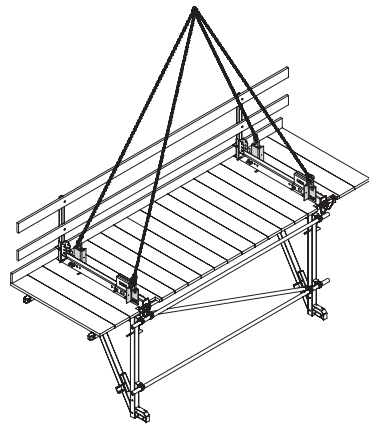


Fig. 10

Mounting the working platform



It is extremely important to take into account the assembly instructions of the Climbing Scaffold CB 160. In particular, the handling of the securing bolts for mounting the working platform to the building.

Application

Dismantling

1. Release Nuts (5) M20 (SW 30).
2. Remove Hex. Bolts (4) M20 (SW 30) from the angle plate (3) and Climbing Bracket CB 160 (7).
3. Check individual components for signs of damage.
4. Dispose of unusable components.
5. Insert bolts through the angle plate (3) and mount nuts (5).

(Fig. 13)



During the dismantling of the platform connections, site personnel must wear personal protective equipment.

Wall side

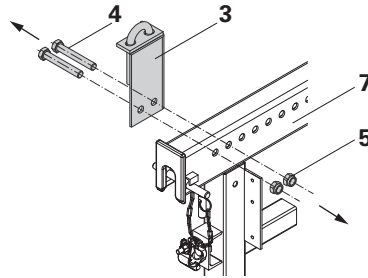


Fig. 11

Guardrail side

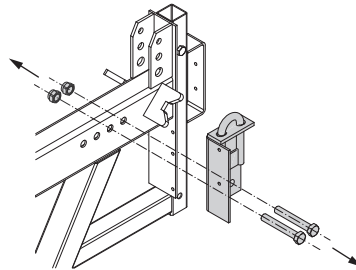


Fig. 12

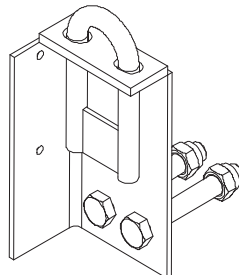


Fig. 13

Components

Item no.	Weight kg
113733	1530,000

Platform Connection CB 160

For connection of platform linings to the Climbing Bracket CB 160 when used as a working platform.

Complete with

2 x 711078 Bolt ISO 4014 M20 x 130-8.8, galv.

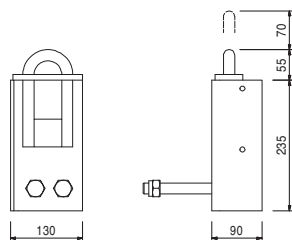
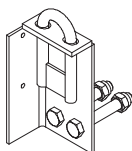
2 x 781053 Nut ISO 7042 M20-8, galv.

Note

Valid only when used in accordance with PERI assembly instructions.

Technical data

Load capacity 500 kg.



EC Declaration of Conformity

EG - Konformitätserklärung

im Sinne der EG-Richtlinie 2006/42/EG

Anhang II,1.A

In der Gemeinschaft ansässige Person, die bevollmächtigt ist, die technischen Unterlagen zusammenzustellen:

Dipl.-Ing. Rainer Bolz
PERI GmbH
Rudolf-Diesel-Straße 19
89259 Weißenhorn

Beschreibung und Identifizierung der Maschine:

Produktgruppe: Klettersysteme
Typ: Lastaufnahmemittel
Artikel-Nr.: 051120
Handels-Bez.: Bühnenbefestigung CB 160

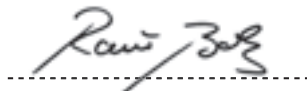
Es wird ausdrücklich erklärt, dass die Maschine allen einschlägigen Bestimmungen der folgenden EG-Richtlinien entspricht:

EG Maschinenrichtlinie 2006/42/EG

Fundstelle der angewandten harmonisierten Normen entsprechend Artikel 7 Absatz 2:

EN 13155 : 2009-08
EN 12100 : 2011-03
EN 1677-1 : 2009-03

Weißenhorn, 11.02.2014
Hersteller
PERI GmbH
Postfach 1264
89259 Weißenhorn



Leitung Produktentwicklung

Dipl.-Ing. Rainer Bolz
PERI GmbH

EC-declaration of conformity

This document is a translation into English from the German original.

EC - declarartion of conformity according to the EU Machinery Directive 2006/42/EG Annex II, 1.A

Person residing within the Community authorised to compile the relevant technical documentation:

Dipl.-Ing. Rainer Bolz
PERI GmbH
Rudolf-Diesel-Strasse 19
89259 Weissenhorn

Description and identification of the machinery:

Product Group:	Climbing Systems
Typ:	Lifting Accesories
Article-No.:	051120
Commercial Designation:	Platform Connection CB 160

It is expressly declared that the machinery fulfils all relevant provisions of the following EU Directives:

European Directive On Machinery 2006/42/EC

Reference to the harmonised standards used, as referred to in Article 7 Annex 2:

EN 13155 : 2009-08
EN 12100 : 2011-03
EN 1677-1 : 2009-03

Weissenhorn, 11.02.2014
Manufacturer
PERI GmbH
Postfach 1264
89259 Weissenhorn

Head of Product Development

Dipl.-Ing. Rainer Bolz
PERI GmbH

The optimal System for every Project and every Requirement



Wall Formwork



Column Formwork



Slab Formwork



Climbing Systems



Tunnel Formwork



Bridge Formwork



Shoring Systems



Construction Scaffold



Facade Scaffold



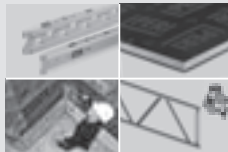
Industrial Scaffold



Access



Protection Scaffold



System-Independent Accessories



Services



PERI L.L.C
Formwork Scaffolding Engineering
 Palace Towers, Silicon Oasis
 P.O. Box 27933, Dubai
 United Arab Emirates
 Tel. +971 (0) 4 326 2992
 Fax +971 (0) 4 326 2993
 perillc@peri.ae
 www.peri.ae