

PERI Slab Tables

Standard Table Module or customised Slab Table



Contents

Edition 08/2008

PERI GmbH

Formwork Scaffolding Engineering

P.O. Box 1264

89259 Weissenhorn

Germany

Tel +49 (0)73 09.9 50-0

Fax +49 (0)73 09.9 51-0

info@peri.de

www.peri.de

- 1 Which slab formwork system?
- 2 PERI Table Module VT versus UNIPORTAL Table

PERI Table Module VT

- 4 The pre-assembled slab table
- 6 Dimensions, Transport, Infilling
- 8 Slab edge tables with safety guardrail
- 10 Design tables for Table Module VT

UNIPORTAL

- 12 The customised slab table
- 16 4 Components of UNIPORTAL Table
- 18 Principle of operation of a UNIPORTAL Head
- 19 With other slab formwork systems
- 20 Assembly sequence
- 22 Design tables for UNIPORTAL

Slab Tables in generell

- 26 Slab edge tables, safety guardrail system
- 27 Striking play, Infilling
- 28 Cycling with Lifting Fork
- 30 Moving with Table Trolley
- 32 Moving with Table Lift PTL 1250
- Design Tables for Slab Props,
- 34 Plywood, Girder GT 24, VT 20

- 42 Components
- 56 PERI International

Important Notes:

Without exception, all current safety regulations must be observed in those countries where our products are used.

The illustrations in this brochure are photographs of particular situations on a construction site. Safety or formwork anchor details are therefore not to be taken as a definitive guide to the way the equipment is to be used.

Safety precautions and allowable loads are to be strictly observed. Separate structural calculations are required for any deviations from the standard design data.

The information contained herein is subject to technical changes in the interests of progress.

Which slab formwork system?

It depends on the project:

- number of repetitions?
- slabs repeated on successive floors?
- facade sufficiently open for tables?
- level of labour costs?

SKYDECK

Aluminium panel slab formwork



PERI SKYDECK is generally the most cost-effective formwork system where labour is expensive, as in industrialised countries.

Values for slab thickness $d = 300$ mm

No. of parts/m ²	Weight [kg/m ²]	Area [m ²] per prop	Time [h/m ²]
2.3	28	3.45	0.15 – 0.30

MULTIFLEX

Girder slab formwork



MULTIFLEX girder slab formwork keeps the cost of materials down. It is therefore particularly cost-effective where labour is cheap.

No. of parts/m ²	Weight [kg/m ²]	Area [m ²] per prop	Time [h/m ²]
3.1	40	2.90	0.25 – 0.50

Table Module VT, UNIPORTAL

Slab tables



Given sufficient crane capacity, slab tables are the most cost-effective solution where there is a high degree of repetition and open facades.

No. of parts/m ²	Weight [kg/m ²]	Area [m ²] per prop	Time [h/m ²]
0.05	50	5.00	0.10 – 0.15

PERI Table Module VT with Table Swivel Head

- With the Table Swivel Head, the Table Module VT has an overall depth of only 430 mm. This means extremely compact transportation and storage. PERI Table Modules VT are therefore particularly suitable for hiring as standard tableforms.
- The PERI Table Modules VT have folding props that are easily fitted or removed. For temporary storage the props can be easily removed.
- The double main girders make intermediate propping with the PERI Cross-head simplicity itself.
- The Table Swivel Head is used for slab tables with parallel girders, such as the Table Modules VT. It can also be used for trapezoidal-shaped tables and tables with radially positioned main girders (Table Swivel Head Upper Part-2).
- The prop can be connected from the right or the left for folding in either direction.

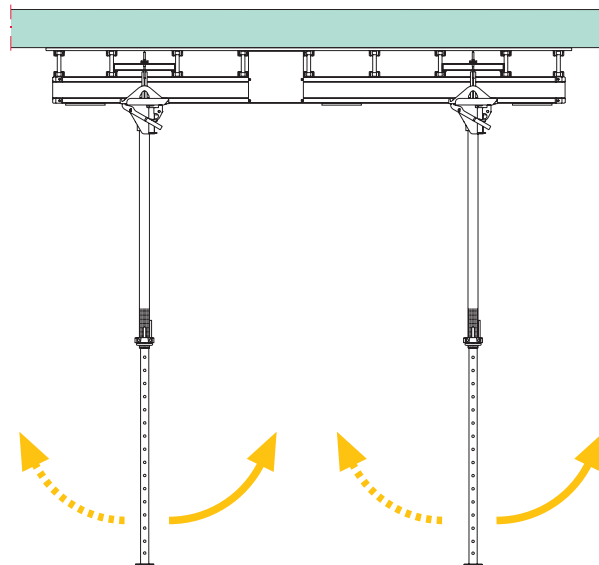
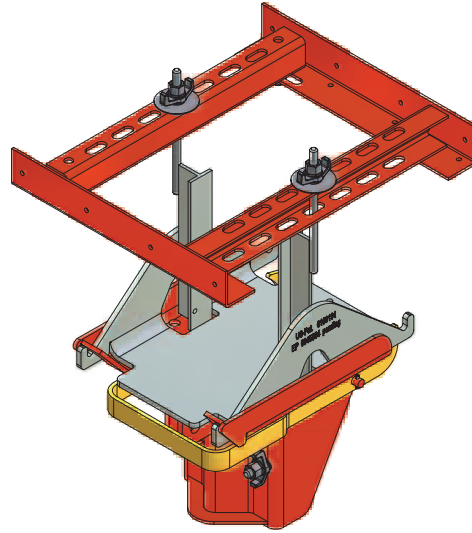
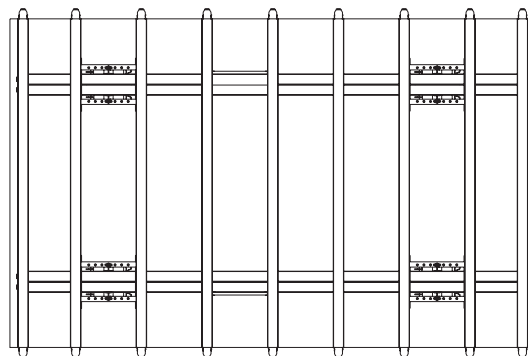
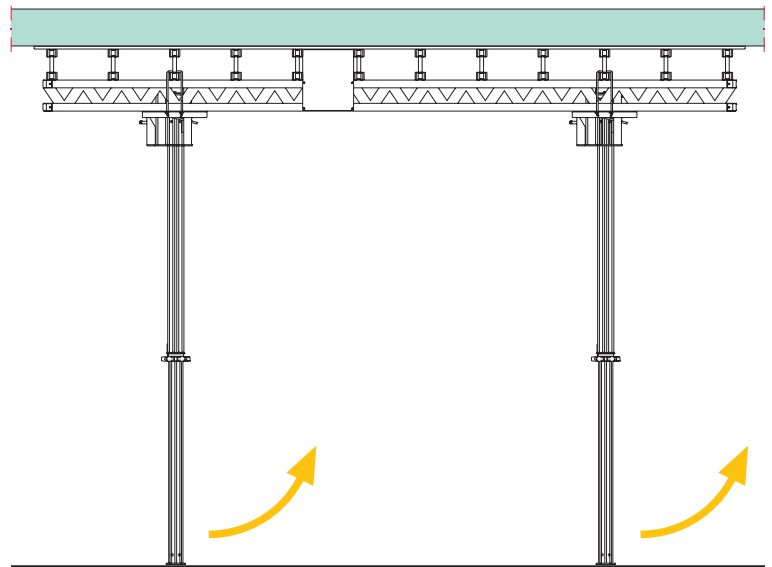
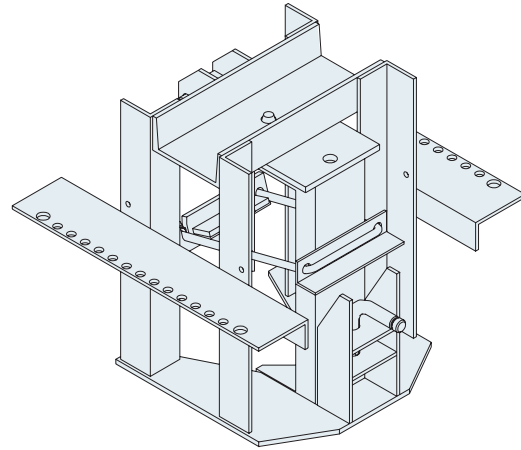


Table size
4.00 x 2.50 m.

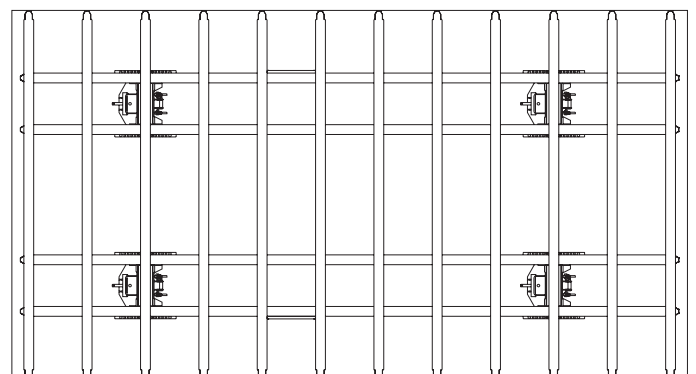
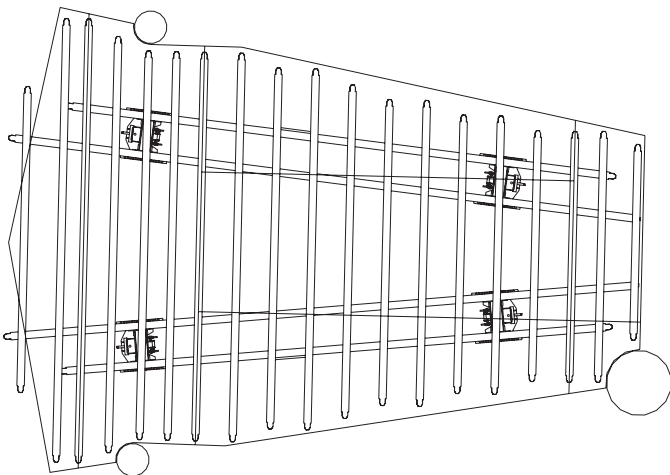


UNIportal Table with UNIportal Head

- The UNIportal Head's greater overall depth allows the props to be clamped more rigidly. This head is therefore ideal for large tables and high slabs.
- UNIportal tables have foldable props and can easily be stored and transported together with the folded props.
- The UNIportal table's main girders are spaced 500 mm (outside dimension) apart. This provides a more efficient structural system, which allows longer girder spans and makes the table more stable.
- Both parallel and radial (for trapezoidal-shaped tables) girder arrangements can be assembled with the UNIportal Head.
- The UNIportal Head allows the props to be folded in one direction.



Trapezoidal-shaped table 7.00 x 4.65/2.50 m.



PERI Table Module VT

The pre-assembled slab table

The PERI Table Modules VT are pre-assembled slab tables. Four standard sizes are available.

Pre-assembled table modules ready for use can be rented, particularly when they are only to be used a few times. The MULTIFLEX girder slab system is used for larger infills.

Slabs up to 600 mm thick can be concreted (see design tables).

Both longitudinal and transverse bracing is required for larger heights.

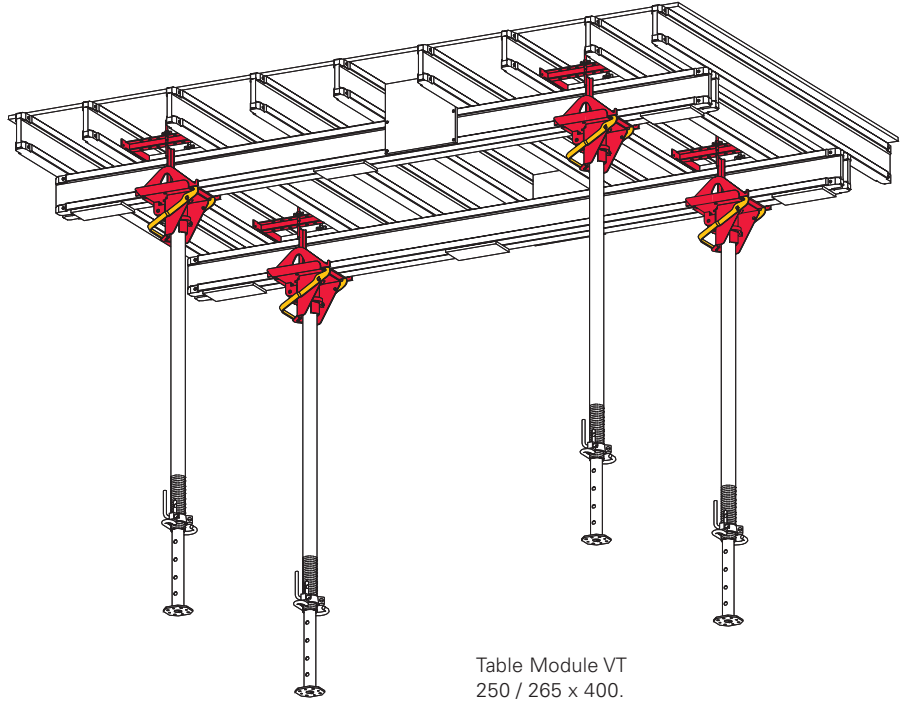
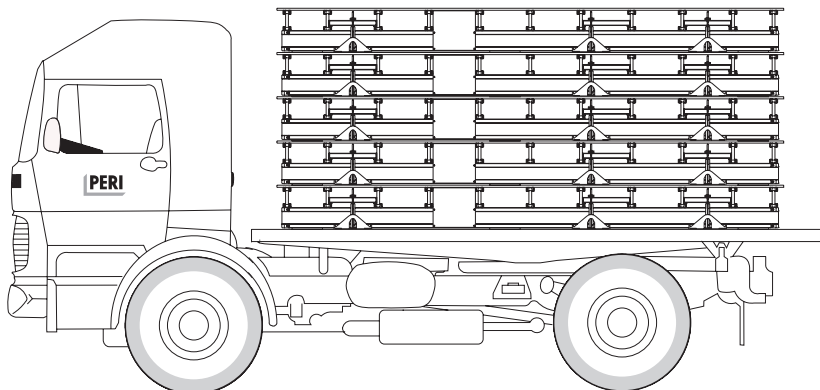
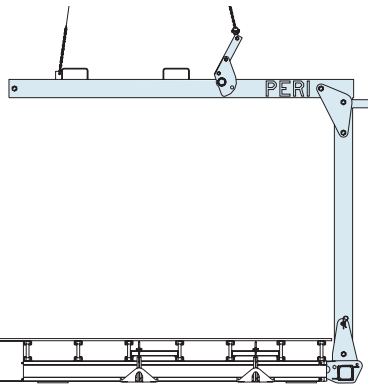


Table Module VT
250 / 265 x 400.

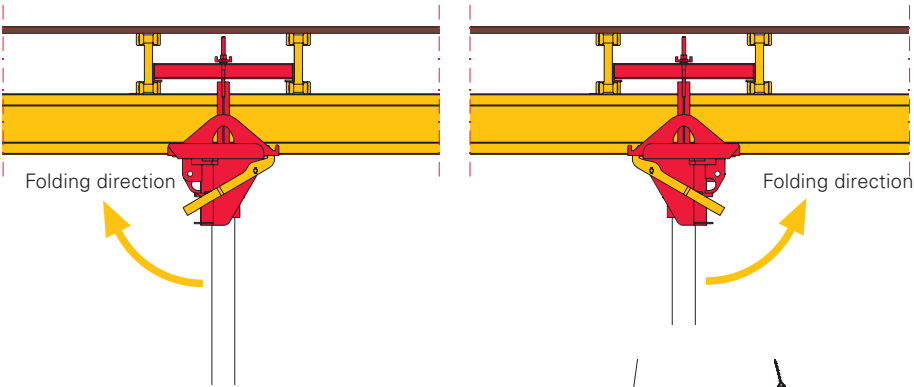
The Table Modules VT are supplied to site fully pre-assembled and ready for immediate use.

1. Unload PERI Table Modules VT straight from the lorry with the Lifting Fork 1t / 5.0 m .



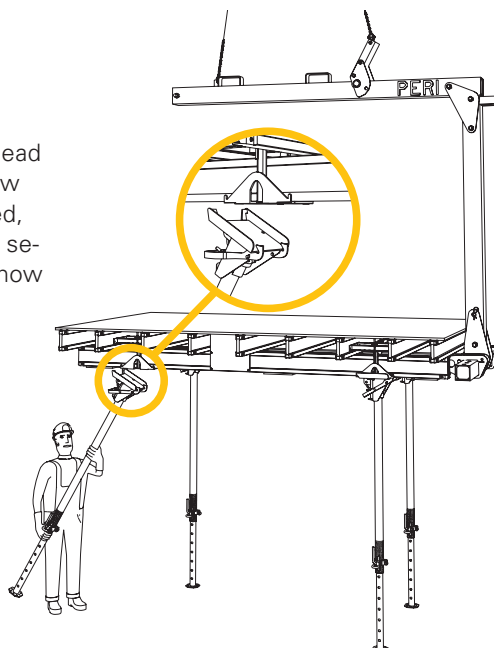
2. Firstly, mount bottom part of Table Swivel Head on prop and then connect prop to the slab table.





PERI Table Modules VT 250 / 265 x 400 used with PEP 20 props for industrial building.

3. Connect props with Table Swivel Head Lower Part to Table Module VT to allow them to be folded in direction required, and position vertically (the yellow bar secures the prop). The Table Module is now ready for use.



PERI Table Module VT

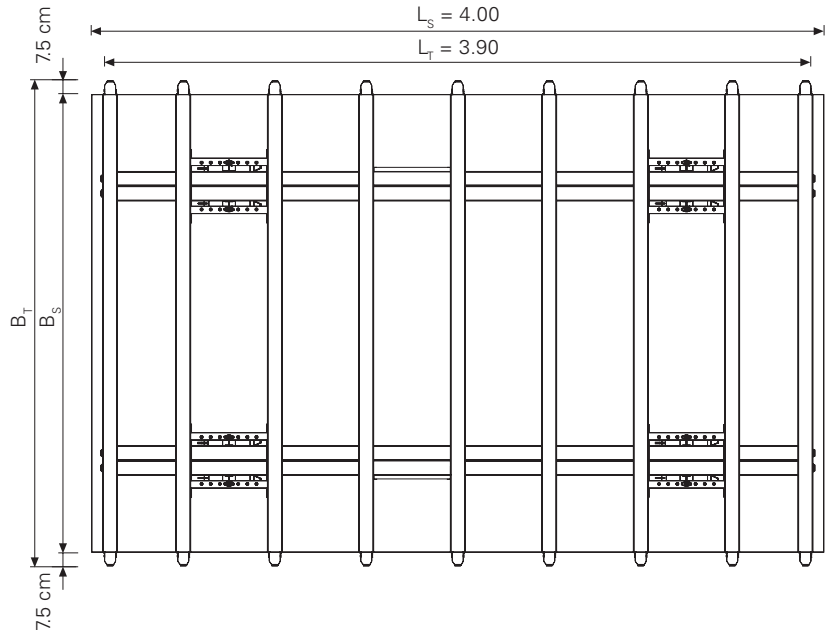
Dimensions, Transport, Infilling

PERI Table Modules VT with VT 20 as main and secondary girder.

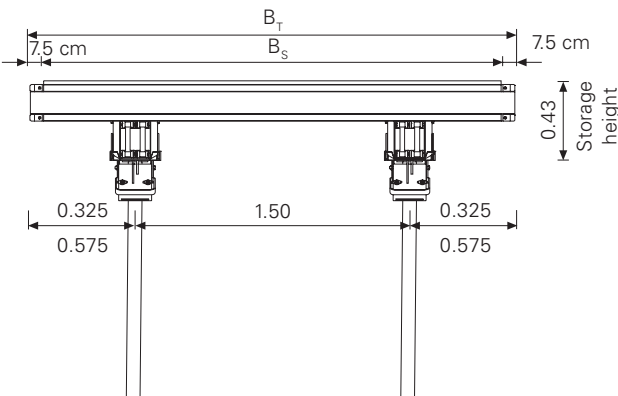
	Table Modules VT			
	200/215 x 400	200/215 x 500	250/265 x 400	250/265 x 500
B_T	2.15	2.15	2.65	2.65
B_S	2.00	2.00	2.50	2.50
L_S	4.00	5.00	4.00	5.00
L_T	3.90	4.90	3.90	4.90

Dimensions [m]

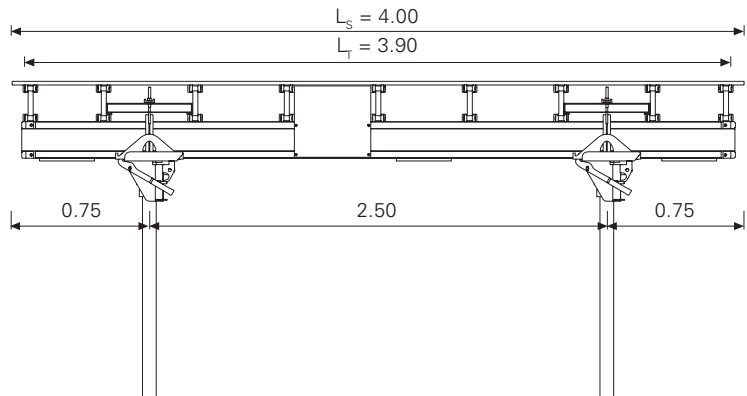
Ground plan



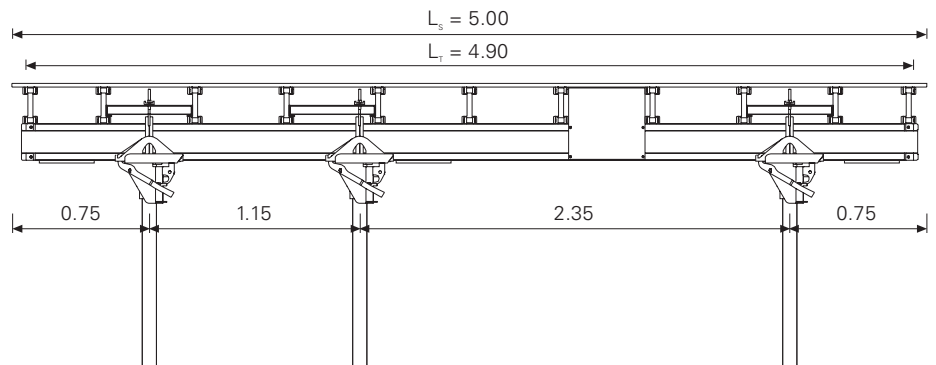
Cross-section



Longitudinal section 4.00 m table

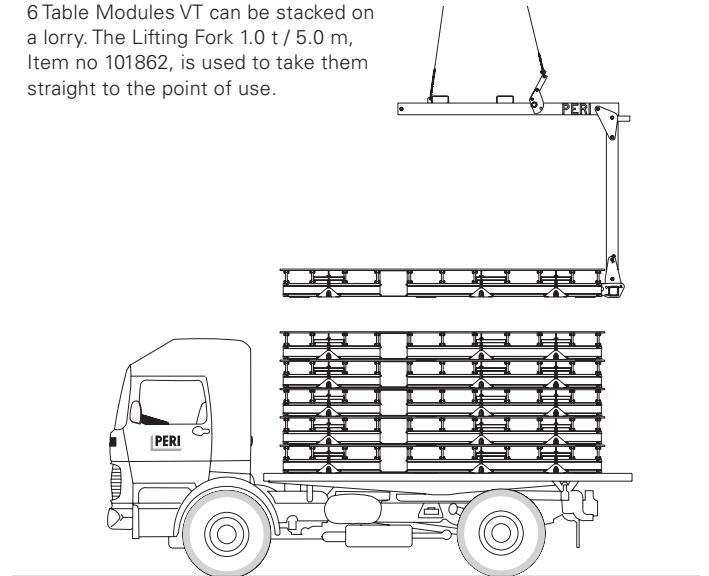


Longitudinal section 5.00 m table



Compact transportation and storage.
 PERI Table Module VT's overall height of 430 mm minimises storage and transportation capacity. The loading width is 2.15 or 2.65 m.

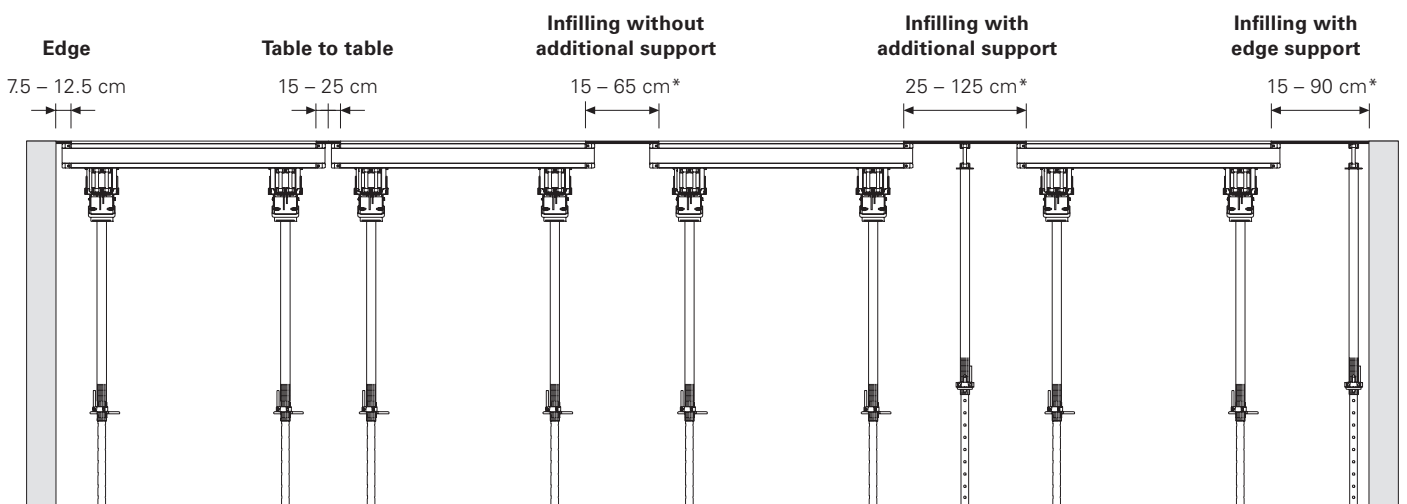
6 Table Modules VT can be stacked on a lorry. The Lifting Fork 1.0 t / 5.0 m, Item no 101862, is used to take them straight to the point of use.



The Table Module's VT stacking height of only 430 mm allows compact storage.



Edge and width infilling.
 PERI Table Modules VT are very versatile in use.



*depending on slab thickness

PERI Table Module VT

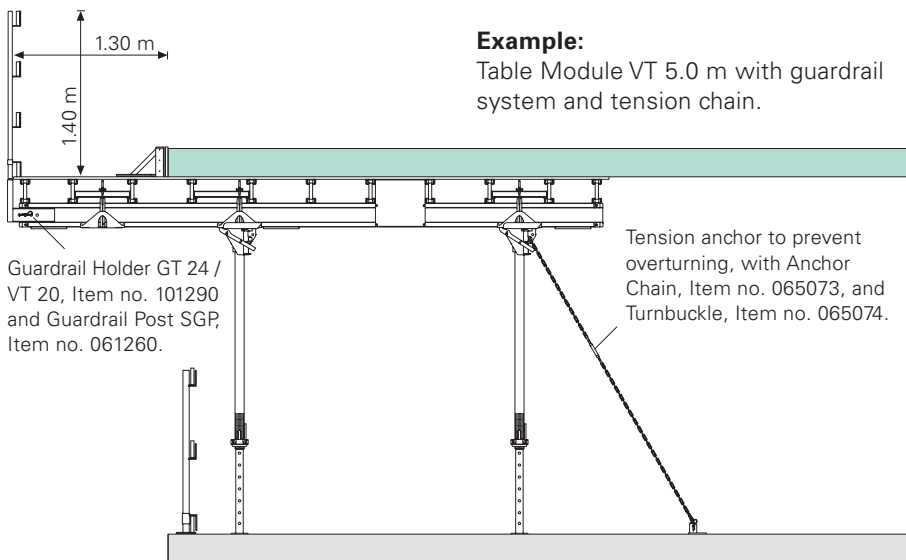
Slab edge tables with safety guardrail



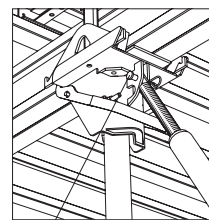
The PERI Table Modules VT can also be used as cantilevering slab edge tables.

PERI Table Modules VT 250 / 265 x 500 with guardrail system.

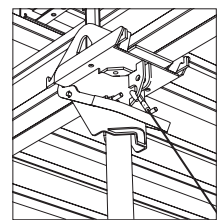
The Table Swivel Head is fitted to the 5.0 m Table Modul VT to enable it to be used at the edge of the slab. The guardrails are pre-assembled on the ground.



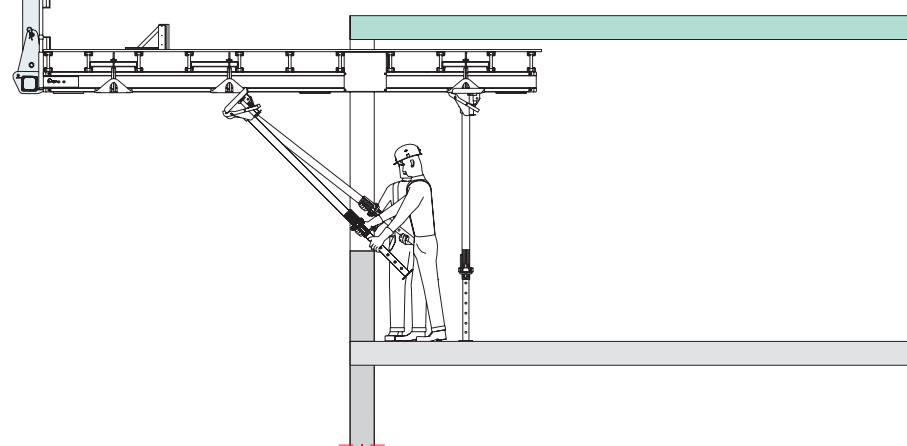
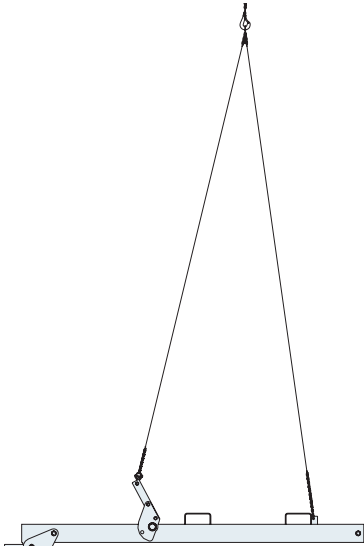
1. Anchoring with push-pull prop



2. Anchoring with chain



Note:
Pin $\varnothing 16 \times 65$ and Cotter Pin 4/1 are to be ordered separately.



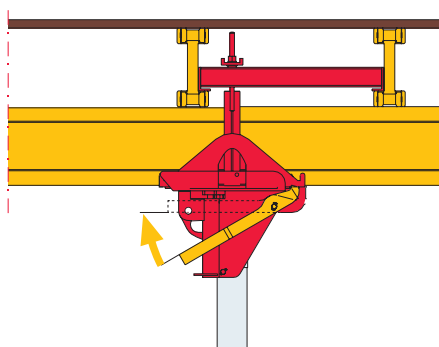
Cantilevering Table Modules VT. The anchoring chain is clearly shown here.

Table Swivel Head folding sequence

The props are folded out of the way in order to negotiate parapets or down-stand beams.

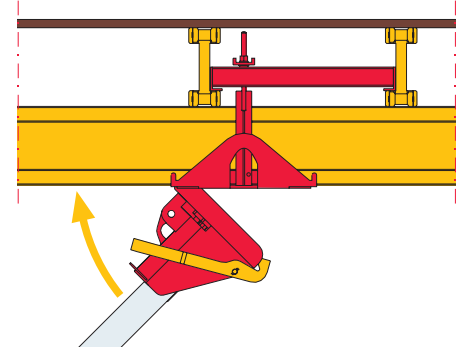
1. Raise bar

A board can be used to reach higher tables from the slab below.



2. Fold prop up

The table can now be moved out. The swivel head's bar re-locks when the prop is allowed to swing down again.



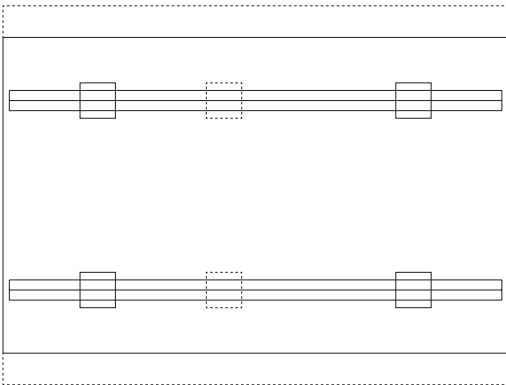
Slab Table

VT Table Module, L = 4.00 m

Table Module L = 4.00 m		VT 200/215 x 400		VT 250/265 x 400	
Width of Influence EB [m]		2.20	2.70	2.70	3.15
Vers. 1	Perm. Slab Thickness d [m]	0.50	0.40*	0.40*	0.35**
	Actual Leg Load [kN]	34.6	35.2	35.2	36.8
Vers. 2	Perm. Slab Thickness d [m]	0.60	0.60*	0.60*	0.50**
	Actual Leg Load [kN]	33.7	41.3	41.3	40.2

Note:

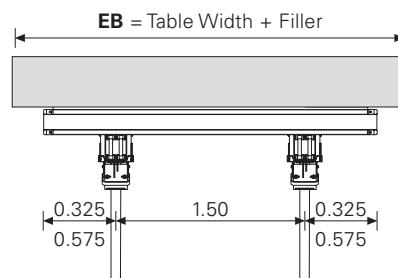
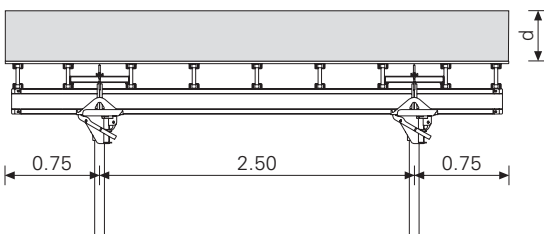
Intermediate values of the permissible loads and resultant leg loads may be interpolated linear.



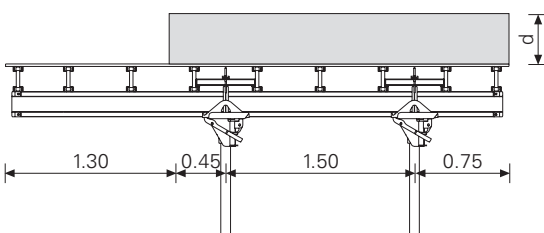
Safety Note:

*Stability is no longer given in case of slabs thicker than *0.30 m. **0.15 m. Concreting must therefore be carried out in several pours or layers. or additional supports at the table edges to be provided.

Version 1



Version 2



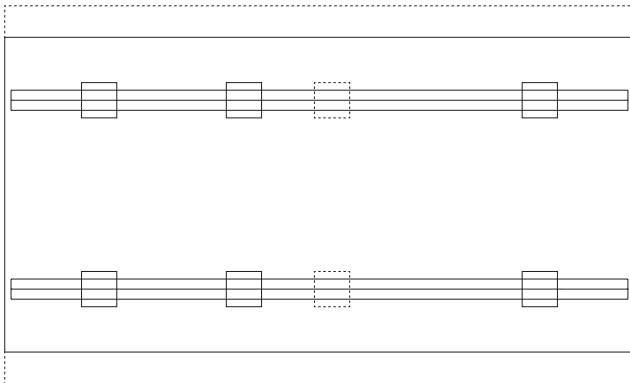
VT Table Module, L = 5.00 m

Table Module L = 5.00 m		VT 200/215 x 500		VT 250/265 x 500	
Width of Influence EB [m]		2.20	2.70	2.70	3.15
Vers. 1	Perm. Slab Thickness d [m]	0.50	0.40*	0.40*	0.35**
	Actual Leg Load [kN]	34.6	35.2	35.2	36.8
Vers. 2	Perm. Slab Thickness d [m]	0.50	0.40*	0.40*	0.35**
	Actual Leg Load [kN]	34.6	35.2	35.2	36.8
Vers. 3	Perm. Slab Thickness d [m]	0.60	0.55*	0.55*	0.45**
	Actual Leg Load [kN]	36.0	39.9	39.9	39.9

Note:

Intermediate values of the permissible loads and resultant leg loads may be interpolated linear.

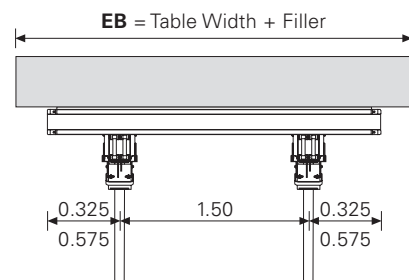
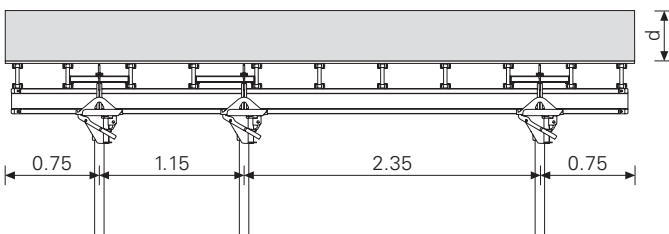
For version 3, the Table Swivel Head must be repositioned.



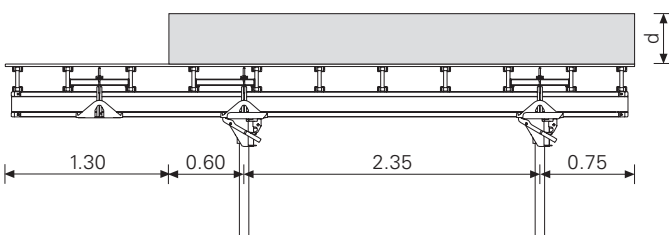
Safety Note:

*Stability is no longer given in case of slabs thicker than *0.30 m, **0.15 m. Concreting must therefore be carried out in several pours or layers, or additional supports at the table edges to be provided.

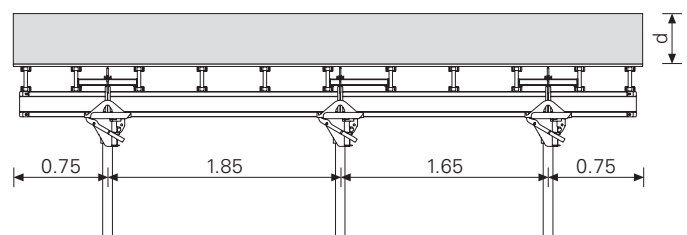
Version 1



Version 2



Version 3



UNIportal Table

The customised slab table

A table designed to suit the particular structure is often the most cost-effective solution.

It allows infill areas to be reduced to a minimum. Girder spans and prop load capacities can be optimised for the slab thickness. The UNIportal customised table is particularly stable for high slabs and large tables.

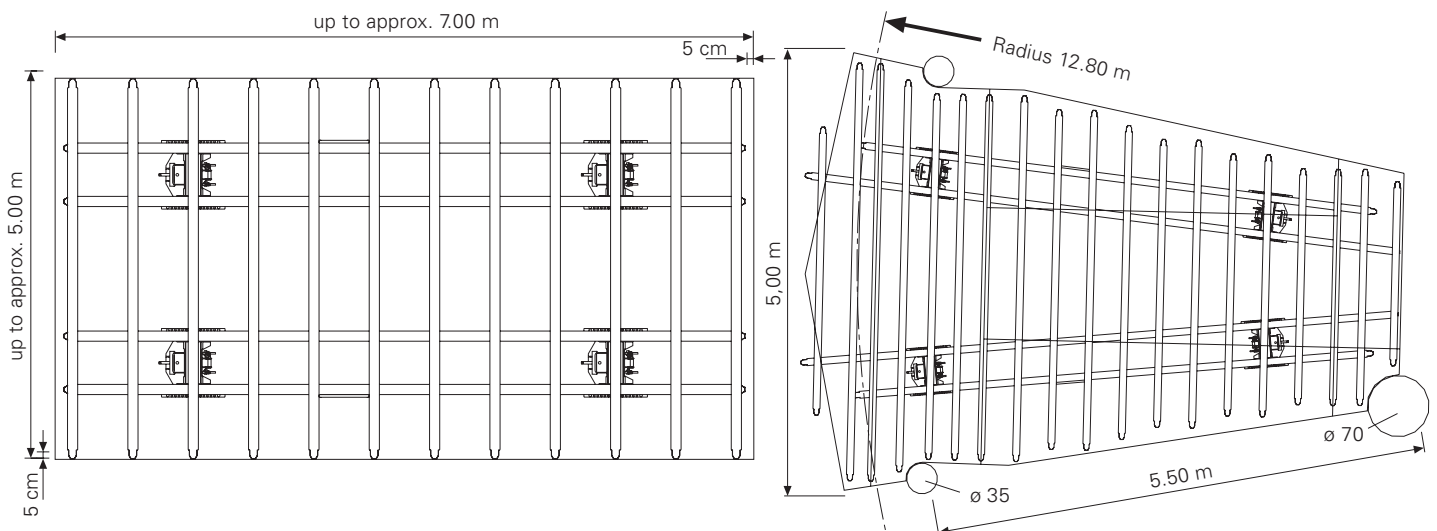
Both longitudinal and transverse bracing is required for greater heights.



The customised table:

The UNIportal system allows any size and shape of table to be chosen, basically subject only to the geometric and structural constraints.

Trapezoidal-shaped slab tables for a circular office building. Table size: 7.00 x 4.65 / 2.50 m.





After striking, the props are simply folded out of the way to allow negotiation of any parapets or downstand beams.

The props are operated from the slab. The prop returns to the vertical position after the table has been swung out over the parapet.



Vertical moving of PERI slab tables.

UNIPORTAL customised table for construction of an office building with complex geometry.

UNIportal Table

The customised slab table



Slab edge tables with integrated safety guardrail for an administration building.



Trapezoidal-shaped UNIportal slab tables for a circular office building.



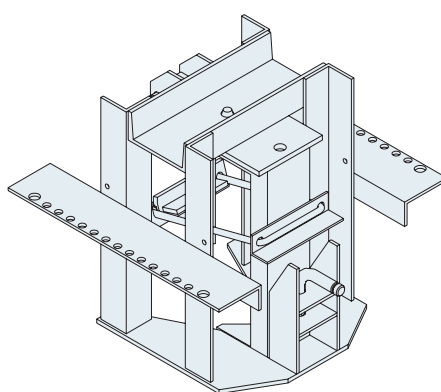
UNIportal slab tables for constructing an administration building.



Cantilevered PERI UNIportal edge tables with guardrails.



Moving of 5.40 m x 7.00 m UNIportal slab tables.

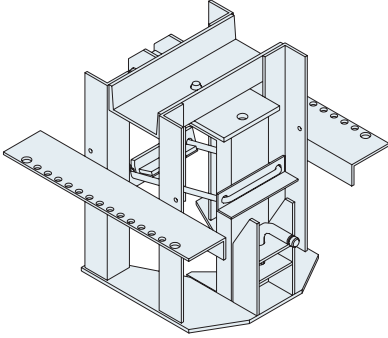


UNIportal Head, galv.
Item no. 028500

UNIportal Table

4 Components of a UNIportal Table

The UNIportal Head



The slab props

MP 625
4.30 - 6.25 m



MP 480
2.60 - 4.80 m



MP 350
1.95 - 3.50 m



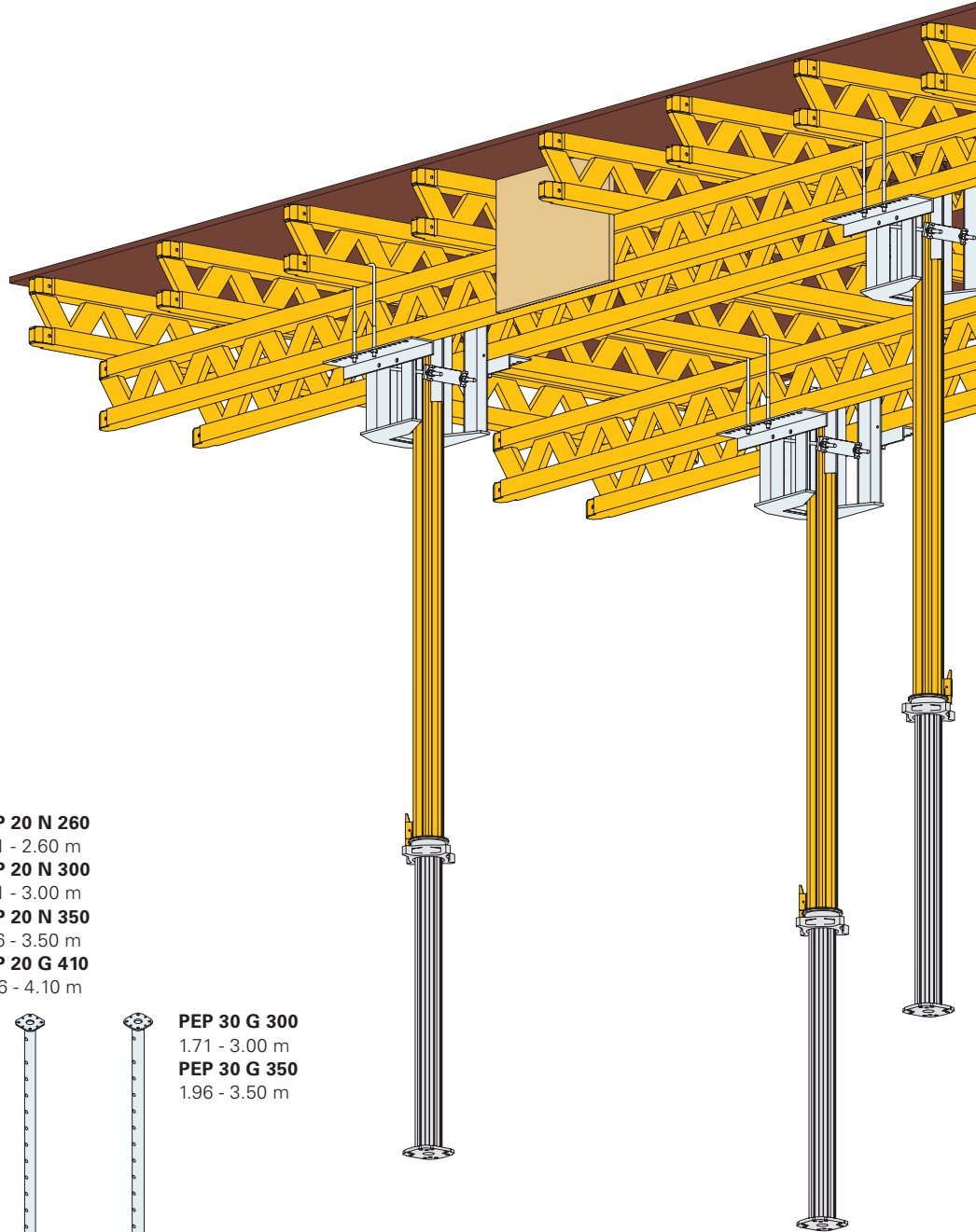
MP 250
1.45 - 2.50 m

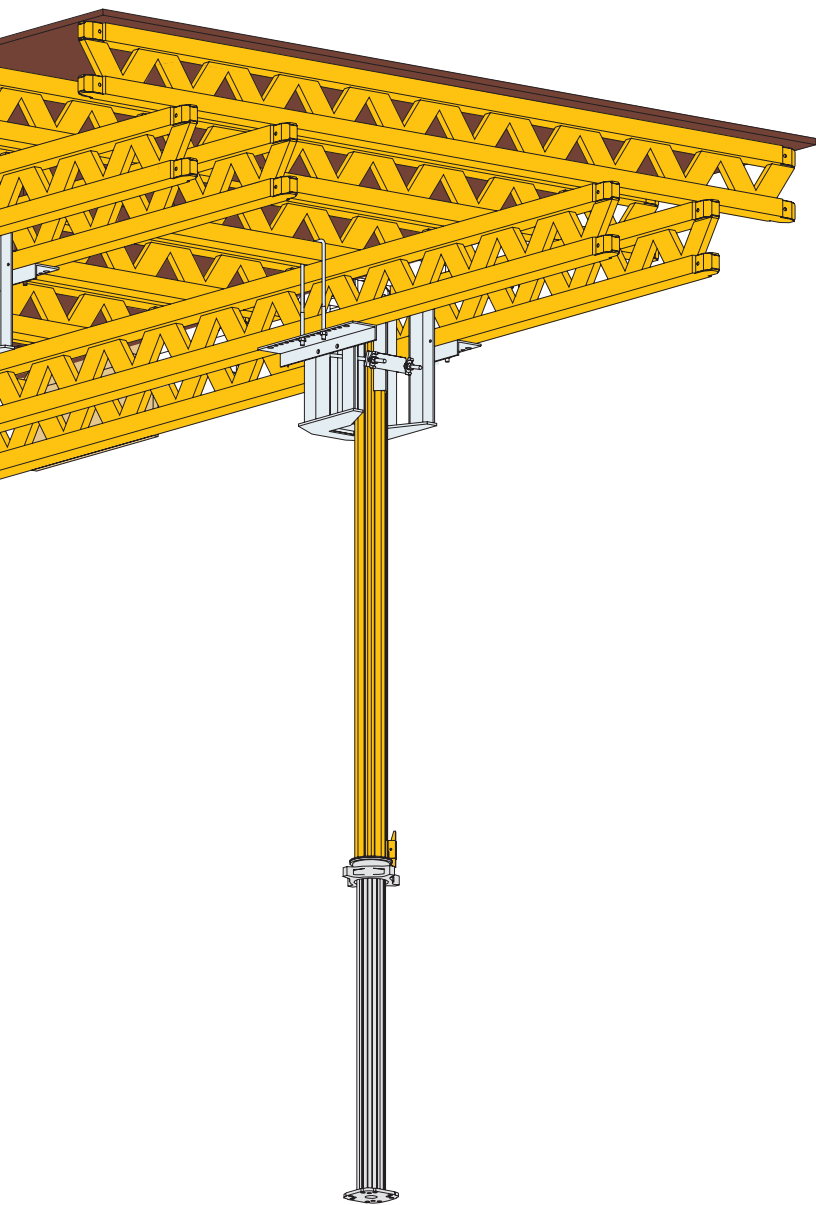


PEP 20 N 260
1.51 - 2.60 m
PEP 20 N 300
1.71 - 3.00 m
PEP 20 N 350
1.96 - 3.50 m
PEP 20 G 410
2.26 - 4.10 m



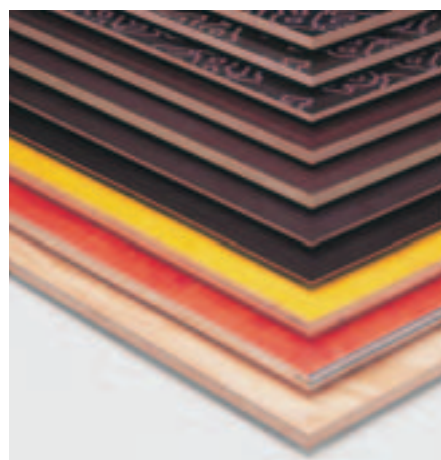
PEP 30 G 300
1.71 - 3.00 m
PEP 30 G 350
1.96 - 3.50 m



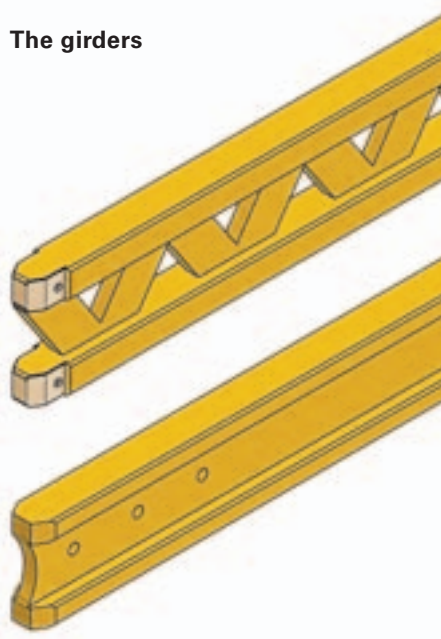


The plywood

The right plywood for every requirement. PERI plywood comes in different sizes, thicknesses and grades to ensure you always have the right formlining available for your site.



The girders



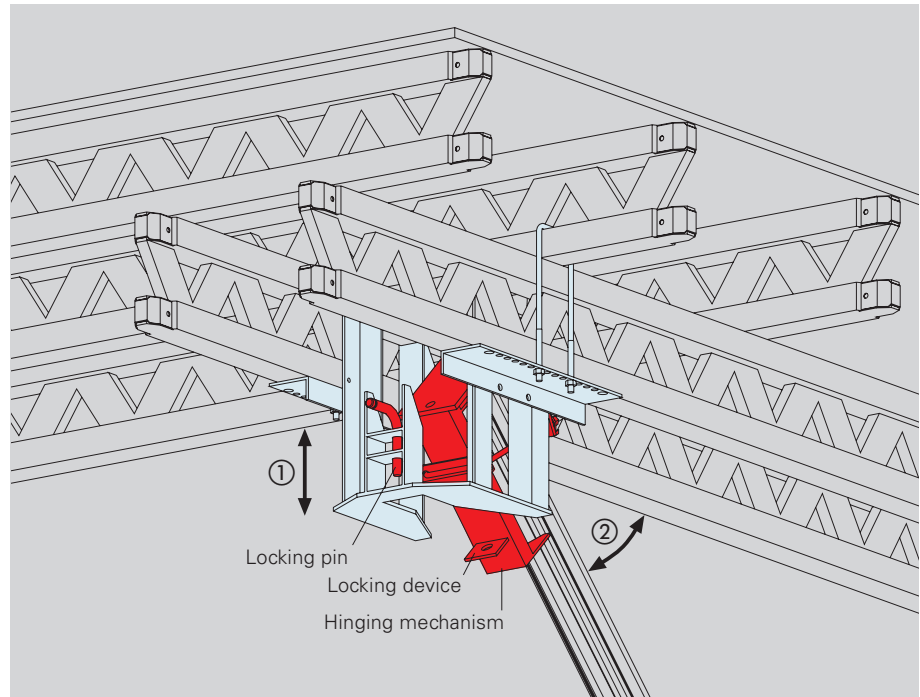
GT 24
As main and secondary girder

VT 20
As main and secondary girder

UNIPORTAL Table

Principle of operation of a UNIPORTAL Head

The PERI UNIPORTAL Head allows the props to be folded in one direction. This is particularly advantageous when negotiating parapets or downstand beams.

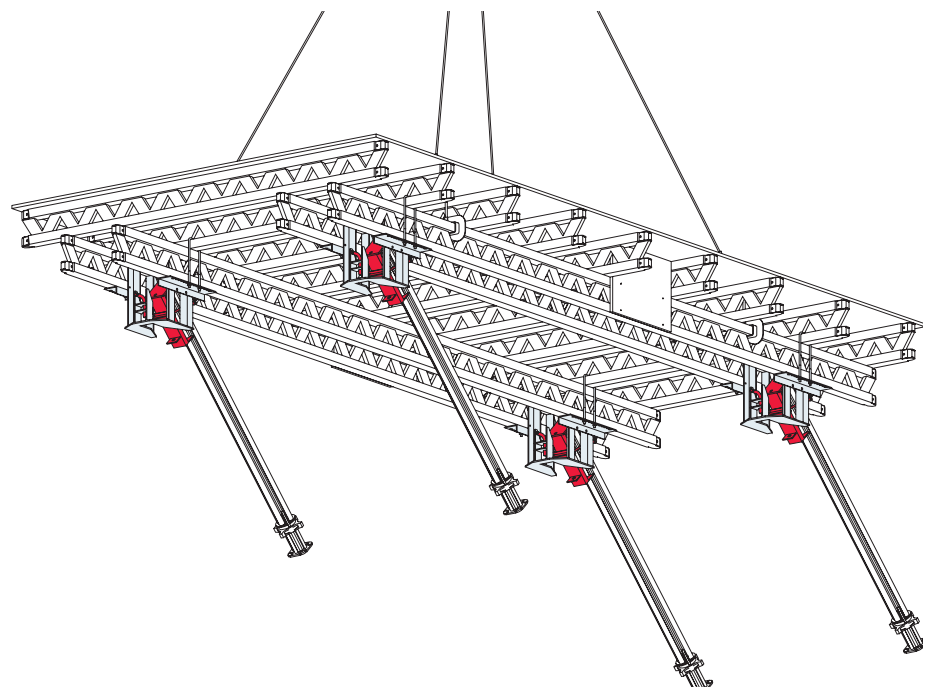


1. Use a board to lift the locking pin while standing on the slab below, and fold the prop.

2. Swing prop down again with hinging mechanism. In so doing, the locking pin is engaged in the locking device.

Connecting props

Slab props from $\varnothing 57$ mm and PERI MULTIPROPS can be clamped to the outer or inner tube.

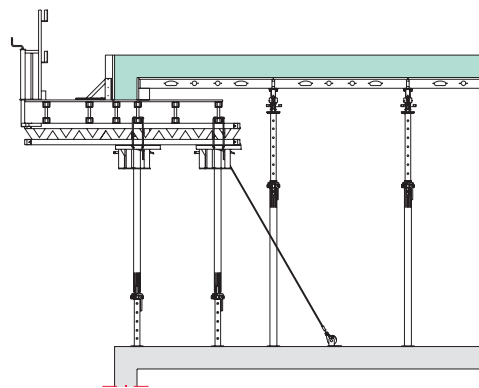


The UNIPORTAL clamping device can easily be operated with just a hammer.

With other slab formwork systems

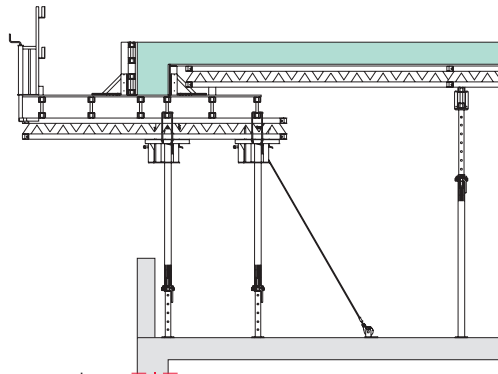
With PERI SKYDECK

The lightweight panel slab formwork.



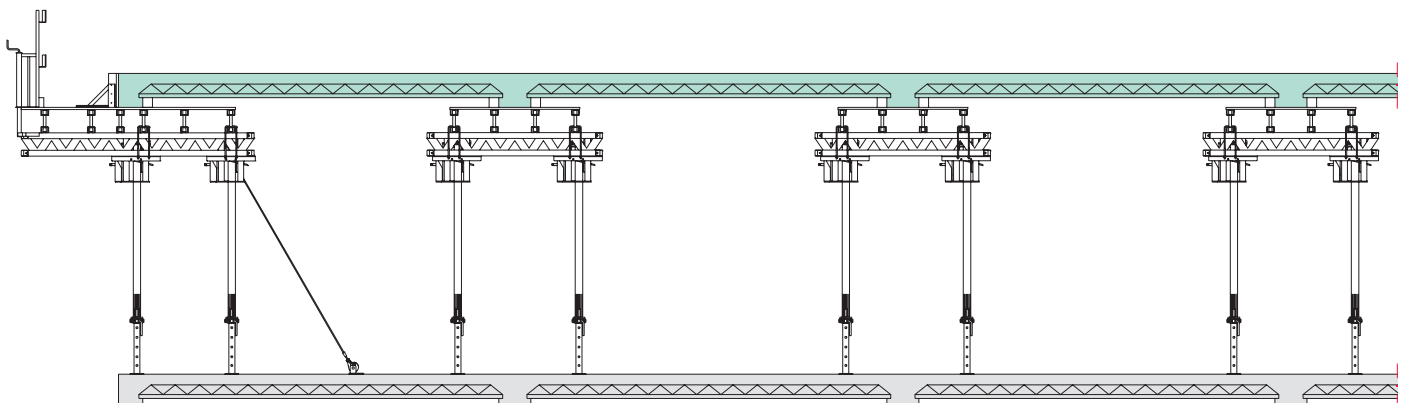
With PERI MULTIFLEX

The girder slab formwork.



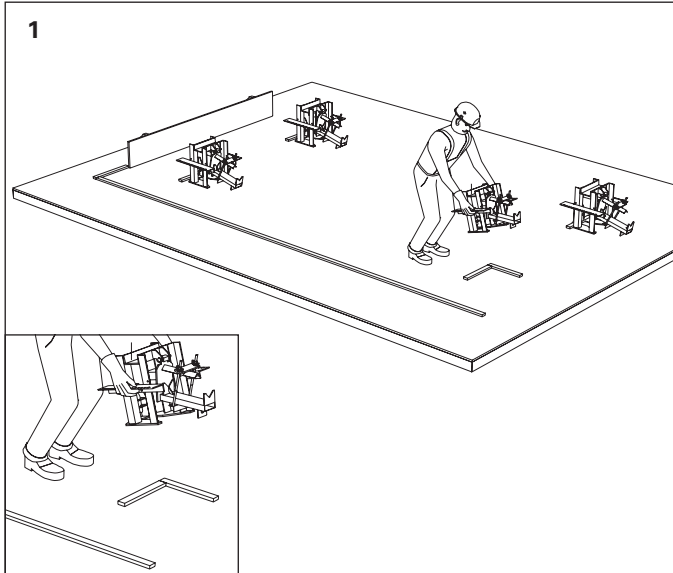
With precast slab panels

To support downstand beams and precast panels.



UNIportal Table

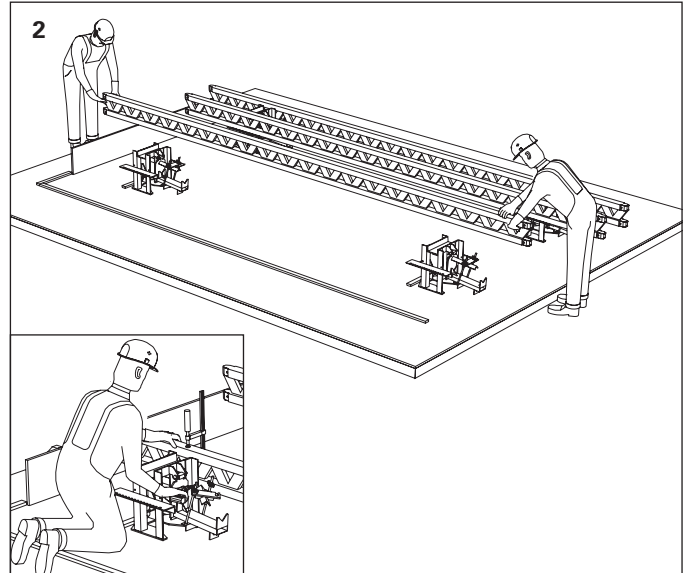
Assembly sequence



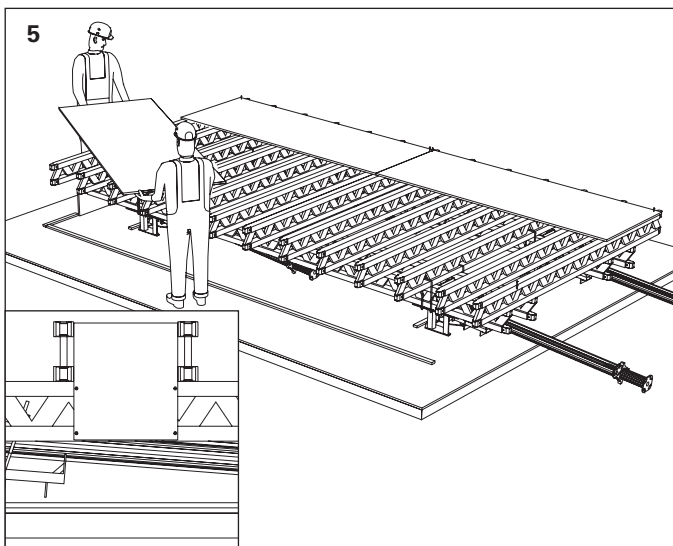
A flat, level assembly platform is required. Prepare locating battens for heads and girders as shown on assembly drawings.

Note:

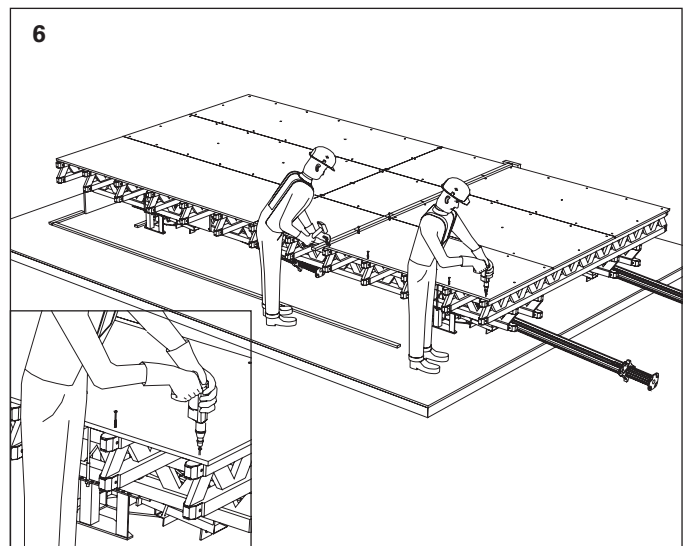
It is essential to point the UNIportal heads in the direction required for folding.



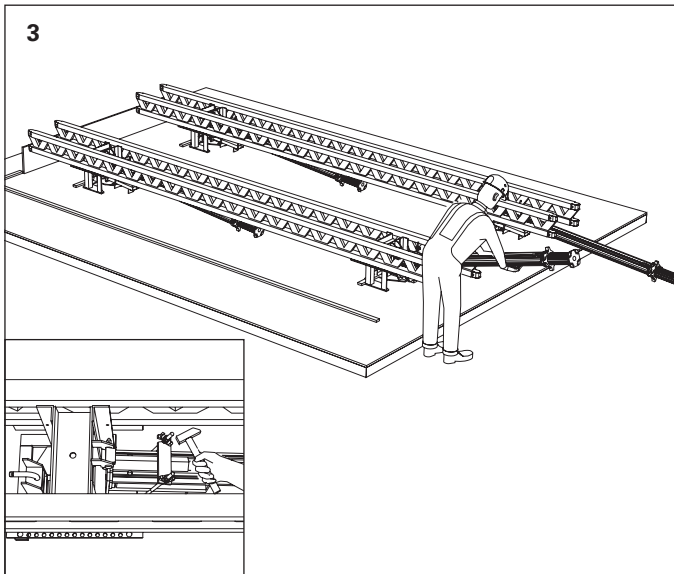
Lay main girders on UNIportal heads, align and fix with C clamps. Secure with M 8x60 lag screw, Item no. 024270, at each fixing point.



Now fix the nogging-piece to the two outside main girders. Cut piece of scrap formling to size and screw on. Lay sheets of plywood on and align.



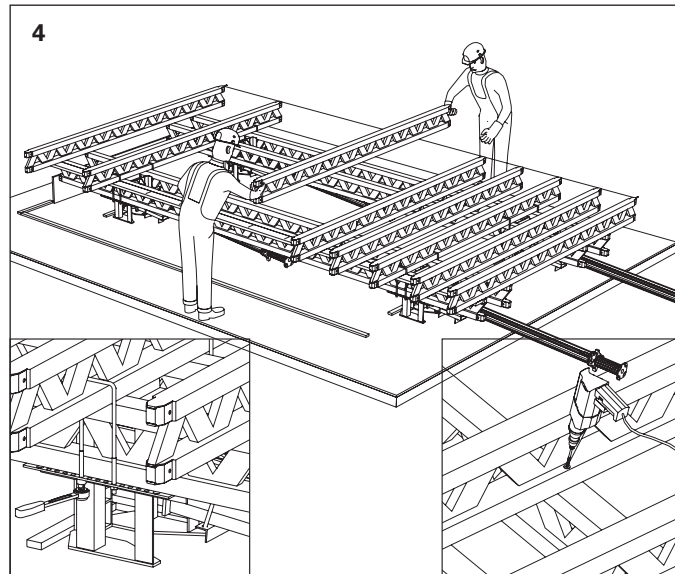
Screw the plywood down with approx. 10 pieces 6 x 60 torx screws, Item no. 024470. A marking gauge makes the work easier.



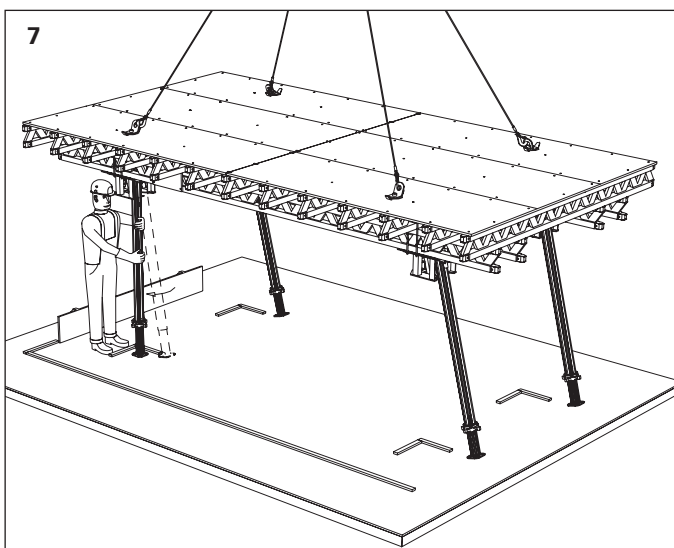
The quick-action clamp has to be released to allow fitting of props. Push prop fully home and tighten wingnuts.

Note:

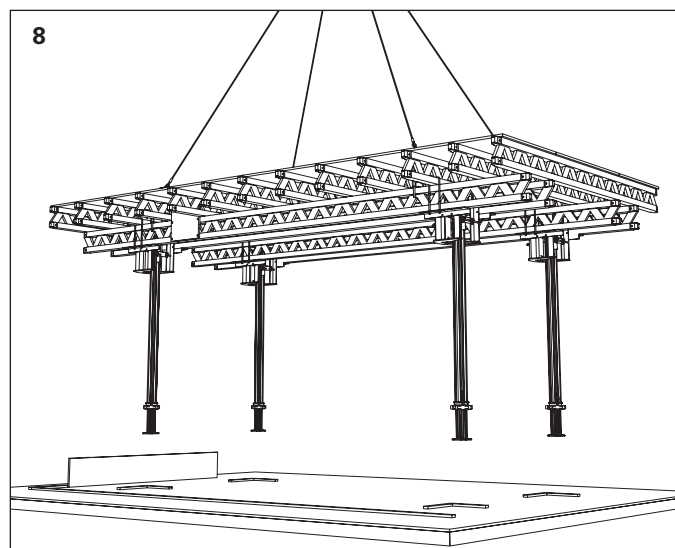
It only makes sense to fit the props during site assembly. The head can also be removed by releasing the pin, and mounted on the prop separate from the table. Release pin and remove head piece.



Mark spacing of secondary girders, lay in position and align. Clamp the secondary girder over the head with 2 tension hoops, Item no. 028550. Fix the remaining girders with spax screws TX 30, 6 x 100, Item no. 024950, and washers.



Depending on the design, the UNIPORTAL crane lifting units are now fitted. Suspend table from crane and lift. Swing props down into vertical position and lock.



The fully assembled UNIPORTAL slab table can now be taken to the point of use.

Slab Table UNIPORTAL

With Main Girder 2 x GT 24

Slab Thickness 0.20 m; q = 7.0 kN/m²;

Table Length L [m]		2.50	3.00	3.50	4.00	4.50	5.00	6.00		
Typ 4 c [m] / l [m]		0.45 / 1.60	0.50 / 2.00	0.55 / 2.40	0.60 / 2.80	0.65 / 3.20	0.70 / 3.60			
Typ 6 c [m] / l [m]					0.60 / 1.40	0.65 / 1.60	0.70 / 1.80	0.80 / 2.20		
Table Width B [m]	Main Girder Spacing b [m]	2.50	1.60	4 / 10.9	4 / 13.1	4 / 15.3	4 / 17.5	4 / 19.7	4 / 21.9	6 / 20.2
		3.00	2.00	4 / 13.1	4 / 15.8	4 / 18.4	4 / 21.0	4 / 23.6	6 / 19.3	6 / 24.3
		3.50	2.40	4 / 15.3	4 / 18.4	4 / 21.4	4 / 24.5	4 / 27.6	6 / 22.6	6 / 28.3
		4.00	2.80	4 / 17.5	4 / 21.0	4 / 24.5	4 / 28.0	6 / 22.5	6 / 25.8	6 / 32.4
		4.50	3.20	4 / 19.7	4 / 23.6	4 / 27.6	4 / 31.5	6 / 25.3	6 / 29.0	6 / 36.4
		5.00	3.60	4 / 21.9	4 / 26.3	4 / 30.6	4 / 35.0	6 / 28.1	6 / 32.2	6 / 40.5

Slab Thickness 0.25 m; q = 8.3 kN/m²;

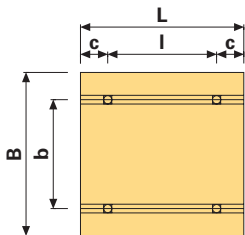
Table Length L [m]		2.50	3.00	3.50	4.00	4.50	5.00	6.00		
Typ 4 c [m] / l [m]		0.45 / 1.60	0.50 / 2.00	0.55 / 2.40	0.60 / 2.80	0.65 / 3.20				
Typ 6 c [m] / l [m]				0.55 / 1.20	0.60 / 1.40	0.65 / 1.60	0.70 / 1.80	0.80 / 2.20		
Table Width B [m]	Main Girder Spacing b [m]	2.50	1.60	4 / 13.0	4 / 15.6	4 / 18.2	4 / 20.8	4 / 23.3	6 / 19.1	6 / 24.0
		3.00	2.00	4 / 15.6	4 / 18.7	4 / 21.8	4 / 24.9	4 / 28.0	6 / 22.9	6 / 28.8
		3.50	2.40	4 / 18.2	4 / 21.8	4 / 25.4	4 / 29.1	6 / 23.3	6 / 26.7	6 / 33.6
		4.00	2.80	4 / 20.8	4 / 24.9	4 / 29.1	4 / 33.2	6 / 26.6	6 / 30.6	6 / 38.4
		4.50	3.20	4 / 23.3	4 / 28.0	4 / 32.7	6 / 25.5	6 / 30.0	6 / 34.4	6 / 43.2
		5.00	3.60	4 / 25.9	4 / 31.1	6 / 24.7	6 / 28.3	6 / 33.3	6 / 38.2	6 / 48.0

Slab Thickness 0.30 m; q = 9.7 kN/m²;

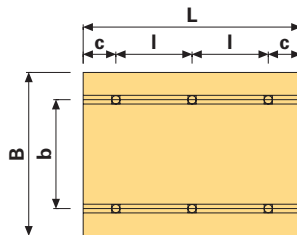
Table Length L [m]		2.50	3.00	3.50	4.00	4.50	5.00	6.00		
Typ 4 c [m] / l [m]		0.45 / 1.60	0.50 / 2.00	0.55 / 2.40	0.60 / 2.80	0.65 / 3.20				
Typ 6 c [m] / l [m]				0.55 / 1.20	0.60 / 1.40	0.65 / 1.60	0.70 / 1.80	0.80 / 2.20		
Typ 8 c [m] / l [m]							0.55 / 1.30	0.70 / 1.53		
Table Width B [m]	Main Girder Spacing b [m]	2.50	1.60	4 / 15.1	4 / 18.1	4 / 21.1	4 / 24.2	4 / 27.2	6 / 22.2	6 / 27.9
		3.00	2.00	4 / 18.1	4 / 21.7	4 / 25.4	4 / 29.0	6 / 23.2	6 / 26.7	6 / 33.5
		3.50	2.40	4 / 21.1	4 / 25.4	4 / 29.6	4 / 33.8	6 / 27.1	6 / 31.1	6 / 39.1
		4.00	2.80	4 / 24.2	4 / 29.0	4 / 33.8	6 / 26.4	6 / 31.0	6 / 35.6	6 / 44.7
		4.50	3.20	4 / 27.2	4 / 32.6	4 / 38.0	6 / 29.7	6 / 34.9	6 / 40.0	6 / 50.3
		5.00	3.60	4 / 30.2	4 / 36.2	6 / 28.7	6 / 33.0	6 / 38.7	6 / 44.5	6 / 55.9

Type of Table and Prop Load [kN]

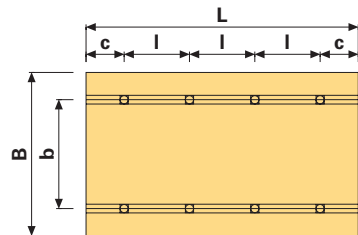
Typ 4



Typ 6



Typ 8

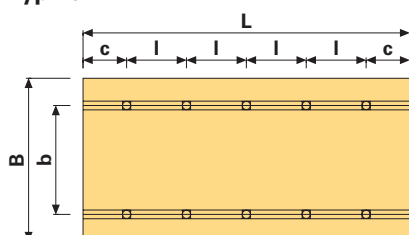


Slab Thickness 0.35 m; q = 11.2 kN/m ² ;			2.50	3.00	3.50	4.00	4.50	5.00	6.00	
Table Length L [m]			2.50	3.00	3.50	4.00	4.50	5.00	6.00	
Typ 4 c [m] / l [m]			0.45 / 1.60	0.50 / 2.00	0.55 / 2.40					
Typ 6 c [m] / l [m]					0.55 / 1.20	0.60 / 1.40	0.65 / 1.60	0.70 / 1.80	0.80 / 2.20	
Typ 8 c [m] / l [m]									0.70 / 1.53	
Table Width B [m]	Main Girder Spacing b [m]	2.50	1.60	4 / 17.5	4 / 21.0	4 / 24.5	4 / 28.1	6 / 22.5	6 / 25.8	6 / 32.4
		3.00	2.00	4 / 21.0	4 / 25.2	4 / 29.5	4 / 33.7	6 / 27.0	6 / 31.0	6 / 38.9
		3.50	2.40	4 / 24.5	4 / 29.5	4 / 34.4	4 / 39.3	6 / 31.5	6 / 36.2	6 / 45.4
		4.00	2.80	4 / 28.1	4 / 33.7	4 / 39.3	6 / 30.6	6 / 36.0	6 / 41.3	6 / 51.9
		4.50	3.20	4 / 31.6	4 / 37.9	6 / 30.0	6 / 34.4	6 / 40.5	6 / 46.5	6 / 38.0
		5.00	3.60	4 / 35.1	4 / 42.1	6 / 33.4	6 / 38.3	6 / 45.0	6 / 51.7	8 / 42.2

Slab Thickness 0.40 m; q = 12.8 kN/m ² ;			2.50	3.00	3.50	4.00	4.50	5.00	6.00	
Table Length L [m]			2.50	3.00	3.50	4.00	4.50	5.00	6.00	
Typ 4 c [m] / l [m]			0.45 / 1.60	0.50 / 2.00	0.55 / 2.40	0.60 / 2.80				
Typ 6 c [m] / l [m]				0.45 / 1.05	0.55 / 1.20	0.60 / 1.40	0.65 / 1.60	0.70 / 1.80	0.80 / 2.20	
Typ 8 c [m] / l [m]								0.55 / 1.30	0.70 / 1.53	
Table Width B [m]	Main Girder Spacing b [m]	2.50	1.60	4 / 20.0	4 / 24.0	4 / 28.0	4 / 32.0	6 / 25.6	6 / 29.4	6 / 37.0
		3.00	2.00	4 / 24.0	4 / 28.8	4 / 33.5	6 / 26.2	6 / 30.7	6 / 35.3	6 / 44.4
		3.50	2.40	4 / 28.0	4 / 33.5	4 / 39.1	6 / 30.5	6 / 35.9	6 / 41.2	6 / 51.7
		4.00	2.80	4 / 32.0	4 / 38.3	6 / 30.4	6 / 34.9	6 / 41.0	6 / 47.1	8 / 38.5
		4.50	3.20	4 / 35.9	6 / 29.6	6 / 34.2	6 / 39.2	6 / 46.1	6 / 53.0	8 / 43.3
		5.00	3.60	4 / 39.9	6 / 32.9	6 / 38.0	6 / 43.6	6 / 51.2	8 / 41.2	8 / 48.1

Slab Thickness 0.50 m; q = 15.9 kN/m ² ;			2.50	3.00	3.50	4.00	4.50	5.00	6.00	
Table Length L [m]			2.50	3.00	3.50	4.00	4.50	5.00	6.00	
Typ 4 c [m] / l [m]			0.45 / 1.60	0.50 / 2.00						
Typ 6 c [m] / l [m]			0.40 / 0.85	0.45 / 1.05	0.55 / 1.20	0.60 / 1.40	0.65 / 1.60	0.70 / 1.80	0.80 / 2.20	
Typ 8 c [m] / l [m]						0.45 / 1.03	0.50 / 1.17	0.55 / 1.30	0.70 / 1.53	
Typ 10 c [m] / l [m]									0.55 / 1.23	
Table Width B [m]	Main Girder Spacing b [m]	2.50	1.60	4 / 24.8	4 / 29.8	4 / 34.8	6 / 27.1	6 / 31.9	6 / 36.6	6 / 46.0
		3.00	2.00	4 / 29.8	4 / 35.8	6 / 28.4	6 / 32.5	6 / 38.3	6 / 43.9	6 / 55.2
		3.50	2.40	4 / 34.8	4 / 41.7	6 / 33.1	6 / 38.0	6 / 44.6	6 / 51.2	8 / 41.9
		4.00	2.80	4 / 39.8	6 / 32.7	6 / 37.8	6 / 43.4	6 / 51.0	8 / 41.0	8 / 47.9
		4.50	3.20	6 / 30.8	6 / 36.8	6 / 42.6	6 / 48.8	8 / 41.3	8 / 46.2	10 / 44.5
		5.00	3.60	6 / 34.2	6 / 40.9	6 / 47.3	8 / 40.5	8 / 45.9	8 / 51.3	10 / 49.4

Type of Table and Prop Load [kN] Typ 10



Twin Main Girder GT 24

perm. M = 2 x 7 kNm
 perm. Q = 2 x 14 kN
 perm. A = 2 x 28 kN

Load according to DIN 4421 Shoring System Class III

Dead load $g = 0.30 \text{ kN/m}^2$
 Concrete load $b = 26 \text{ kN/m}^3 \times d \text{ (m)}$
 Live load $p = 0.20 \times b$
 $1.5 \leq p \leq 5.0 \text{ kN/m}^2$
 Total load $q = g + b + p$

Slab Table UNIPORTAL

With Main Girder 2 x VT 20

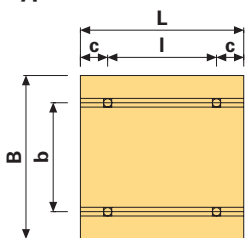
Slab Thickness 0.20 m; q = 7.0 kN/m ² ;										
Table Length L [m]		2.50	3.00	3.50	4.00	4.50	5.00	6.00		
Typ 4 c [m] / l [m]		0.45 / 1.60	0.50 / 2.00	0.55 / 2.40	0.60 / 2.80	0.65 / 3.20				
Typ 6 c [m] / l [m]					0.60 / 1.40	0.65 / 1.60	0.70 / 1.80	0.80 / 2.20		
Table Width B [m]	Main Girder Spacing b [m]	2.50	1.60	4 / 10.9	4 / 13.1	4 / 15.3	4 / 17.5	4 / 19.7	6 / 16.1	6 / 20.2
		3.00	2.00	4 / 13.1	4 / 15.8	4 / 18.4	4 / 21.0	6 / 16.8	6 / 19.3	6 / 24.3
		3.50	2.40	4 / 15.3	4 / 18.4	4 / 21.4	4 / 24.5	6 / 19.6	6 / 22.6	6 / 28.3
		4.00	2.80	4 / 17.5	4 / 21.0	4 / 24.5	6 / 19.1	6 / 22.5	6 / 25.8	6 / 32.4
		4.50	3.20	4 / 19.7	4 / 23.6	4 / 27.6	6 / 21.5	6 / 25.3	6 / 29.0	6 / 36.4
		5.00	3.60	4 / 21.9	4 / 26.3	4 / 30.6	6 / 23.9	6 / 28.1	6 / 32.2	6 / 40.5

Slab Thickness 0.25 m; q = 8.3 kN/m ² ;										
Table Length L [m]		2.50	3.00	3.50	4.00	4.50	5.00	6.00		
Typ 4 c [m] / l [m]		0.45 / 1.60	0.50 / 2.00	0.55 / 2.40	0.60 / 2.80					
Typ 6 c [m] / l [m]				0.55 / 1.20	0.60 / 1.40	0.65 / 1.60	0.70 / 1.80	0.80 / 2.20		
Typ 8 c [m] / l [m]								0.70 / 1.53		
Table Width B [m]	Main Girder Spacing b [m]	2.50	1.60	4 / 13.0	4 / 15.6	4 / 18.2	4 / 20.8	6 / 16.6	6 / 19.1	6 / 24.0
		3.00	2.00	4 / 15.6	4 / 18.7	4 / 21.8	4 / 24.9	6 / 20.0	6 / 22.9	6 / 28.8
		3.50	2.40	4 / 18.2	4 / 21.8	4 / 25.4	6 / 19.8	6 / 23.3	6 / 26.7	6 / 33.6
		4.00	2.80	4 / 20.8	4 / 24.9	4 / 29.1	6 / 22.6	6 / 26.6	6 / 30.6	6 / 38.4
		4.50	3.20	4 / 23.3	4 / 28.0	6 / 22.2	6 / 25.5	6 / 30.0	6 / 34.4	6 / 43.2
		5.00	3.60	4 / 25.9	4 / 31.1	6 / 24.7	6 / 28.3	6 / 33.3	6 / 38.2	8 / 31.2

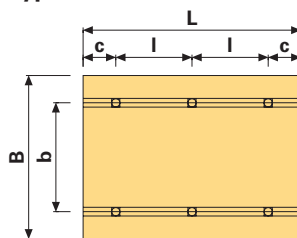
Slab Thickness 0.30 m; q = 9.7 kN/m ² ;										
Table Length L [m]		2.50	3.00	3.50	4.00	4.50	5.00	6.00		
Typ 4 c [m] / l [m]		0.45 / 1.60	0.50 / 2.00	0.55 / 2.40	0.60 / 2.80					
Typ 6 c [m] / l [m]				0.55 / 1.20	0.60 / 1.40	0.65 / 1.60	0.70 / 1.80	0.80 / 2.20		
Typ 8 c [m] / l [m]							0.55 / 1.30	0.70 / 1.53		
Table Width B [m]	Main Girder Spacing b [m]	2.50	1.60	4 / 15.1	4 / 18.1	4 / 21.1	4 / 24.2	6 / 19.4	6 / 22.2	6 / 27.9
		3.00	2.00	4 / 18.1	4 / 21.7	4 / 25.4	6 / 19.8	6 / 23.2	6 / 26.7	6 / 33.5
		3.50	2.40	4 / 21.1	4 / 25.4	4 / 29.6	6 / 23.1	6 / 27.1	6 / 31.1	6 / 39.1
		4.00	2.80	4 / 24.2	4 / 29.0	6 / 23.0	6 / 26.4	6 / 31.0	6 / 35.6	8 / 29.1
		4.50	3.20	4 / 27.2	4 / 32.6	6 / 25.9	6 / 29.7	6 / 34.9	6 / 40.0	8 / 32.7
		5.00	3.60	4 / 30.2	4 / 36.2	6 / 28.7	6 / 33.0	6 / 38.7	8 / 31.2	8 / 36.3

Type of Table and Prop Load [kN]

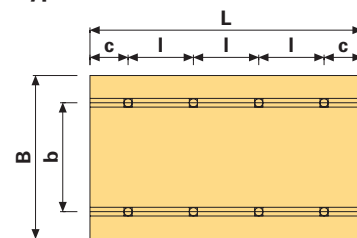
Typ 4



Typ 6



Typ 8



Slab Thickness 0.35 m; q = 11.2 kN/m²;

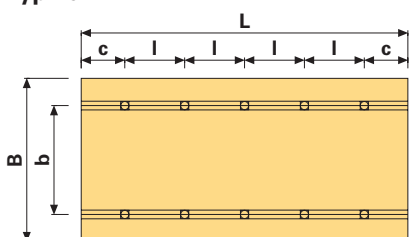
Table Length L [m]		2.50	3.00	3.50	4.00	4.50	5.00	6.00	
Typ 4 c [m] / I [m]		0.45 / 1.60	0.50 / 2.00	0.55 / 2.40					
Typ 6 c [m] / I [m]		0.40 / 0.85	0.45 / 1.05	0.55 / 1.20	0.60 / 1.40	0.65 / 1.60	0.70 / 1.80	0.80 / 2.20	
Typ 8 c [m] / I [m]						0.50 / 1.17	0.55 / 1.30	0.70 / 1.53	
Table Width B [m]	Main Girder Spacing b [m]	1.60	4 / 17.5	4 / 21.0	4 / 24.5	6 / 19.1	6 / 22.5	6 / 25.8	6 / 32.4
		2.00	4 / 21.0	4 / 25.2	4 / 29.5	6 / 23.0	6 / 27.0	6 / 31.0	6 / 38.9
		2.40	4 / 24.5	4 / 29.5	6 / 23.4	6 / 26.8	6 / 31.5	6 / 36.2	6 / 45.4
		2.80	4 / 28.1	6 / 23.1	6 / 26.7	6 / 30.6	6 / 36.0	6 / 41.3	8 / 33.8
		3.20	4 / 31.6	6 / 26.0	6 / 30.0	6 / 34.4	6 / 40.5	8 / 32.6	8 / 38.0
		3.60	6 / 24.1	6 / 28.8	6 / 33.4	6 / 38.3	8 / 32.4	8 / 36.2	8 / 42.2

Slab Thickness 0.40 m; q = 12.8 kN/m²;

Table Length L [m]		2.50	3.00	3.50	4.00	4.50	5.00	6.00	
Typ 4 c [m] / I [m]		0.45 / 1.60	0.50 / 2.00	0.55 / 2.40					
Typ 6 c [m] / I [m]		0.40 / 0.85	0.45 / 1.05	0.55 / 1.20	0.60 / 1.40	0.65 / 1.60	0.70 / 1.80	0.80 / 2.20	
Typ 8 c [m] / I [m]					0.45 / 1.03	0.50 / 1.17	0.55 / 1.30	0.70 / 1.53	
Typ 10 c [m] / I [m]								0.55 / 1.23	
Table Width B [m]	Main Girder Spacing b [m]	1.60	4 / 20.0	4 / 24.0	4 / 28.0	6 / 21.8	6 / 25.6	6 / 29.4	6 / 37.0
		2.00	4 / 24.0	4 / 28.8	6 / 22.8	6 / 26.2	6 / 30.7	6 / 35.3	8 / 28.8
		2.40	4 / 28.0	6 / 23.0	6 / 26.6	6 / 30.5	6 / 35.9	6 / 41.2	8 / 33.7
		2.80	4 / 32.0	6 / 26.3	6 / 30.4	6 / 34.9	6 / 41.0	8 / 33.0	8 / 38.5
		3.20	6 / 24.7	6 / 29.6	6 / 34.2	6 / 39.2	8 / 33.2	8 / 37.1	10 / 35.7
		3.60	6 / 27.5	6 / 32.9	6 / 38.0	8 / 32.6	8 / 36.9	8 / 41.2	10 / 39.7

Slab Thickness 0.50 m; q = 15.9 kN/m²;

Table Length L [m]		2.50	3.00	3.50	4.00	4.50	5.00	6.00	
Typ 4 c [m] / I [m]		0.45 / 1.60	0.50 / 2.00						
Typ 6 c [m] / I [m]		0.40 / 0.85	0.45 / 1.05	0.55 / 1.20	0.60 / 1.40	0.65 / 1.60	0.70 / 1.80	0.80 / 2.20	
Typ 8 c [m] / I [m]				0.40 / 0.90	0.45 / 1.03	0.50 / 1.17	0.55 / 1.30	0.70 / 1.53	
Typ 10 c [m] / I [m]						0.40 / 0.93	0.45 / 1.03	0.55 / 1.23	
Table Width B [m]	Main Girder Spacing b [m]	1.60	4 / 24.8	4 / 29.8	6 / 23.7	6 / 27.1	6 / 31.9	6 / 36.6	8 / 29.9
		2.00	4 / 29.8	4 / 35.8	6 / 28.4	6 / 32.5	6 / 38.3	6 / 43.9	8 / 35.9
		2.40	6 / 23.9	6 / 28.6	6 / 33.1	6 / 38.0	8 / 32.1	8 / 35.9	10 / 34.6
		2.80	6 / 27.3	6 / 32.7	6 / 37.8	6 / 43.4	8 / 36.7	8 / 41.0	10 / 39.5
		3.20	6 / 30.8	6 / 36.8	8 / 31.6	8 / 36.4	8 / 41.3	10 / 37.1	
		3.60	6 / 34.2	6 / 40.9	8 / 35.1	8 / 40.5	10 / 37.1	10 / 41.2	

**Type of Table and Prop Load [kN]
Typ 10**

Twin Main Girder VT 20

perm. M = 2 x 5 kNm
 perm. Q = 2 x 11 kN
 perm. A = 2 x 22 kN

**Load according to DIN 4421
Shoring System Class III**

Dead load $g = 0.30 \text{ kN/m}^2$
 Concrete load $b = 26 \text{ kN/m}^3 \times d \text{ (m)}$
 Live load $p = 0.20 \times b$
 $1.5 \leq p \leq 5.0 \text{ kN/m}^2$
 Total load $q = g + b + p$

Slab Tables in generell

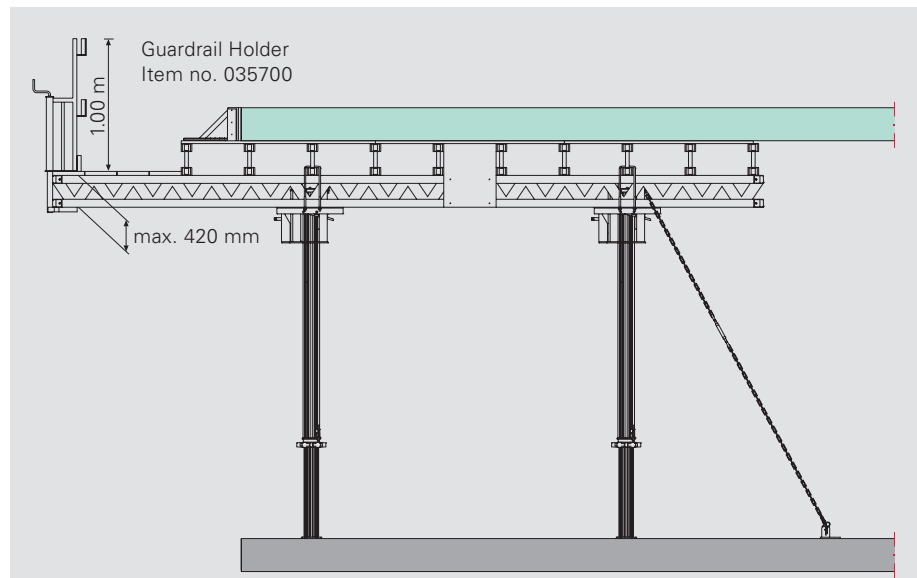
Slab edge tables, safety guardrail system

PERI edge tables for greater safety

Edge stopends, work platforms and safety guardrail systems are generally firmly connected to edge tables. Any edge beam formwork required can also be included.



Safety guardrail system with PD 8 Guardrail Post, Item no. 019040.



Maximum permissible spacing of guardrail holders 2.00 m when 3 x 150 mm side protection boards used. Toe boards must project at least 100 mm above the decking. Minimum thickness 30 mm.

Tension anchor to prevent overturning, with Anchor Chain, Item no. 065073 and Turnbuckle, Item no. 065074.

Table for perm. spans [m] for planking.

Scaffold group	Width of boards [cm]	Thickness of boards [cm]				
		3.0	3.5	4.0	4.5	5.0
1, 2, 3	20	1.25	1.50	1.75	2.25	2.50
	24 and 28	1.25	1.75	2.25	2.50	2.75

Chart 2 (from ZH 1/534)
Minimum sizes of scaffold boards for work platforms.

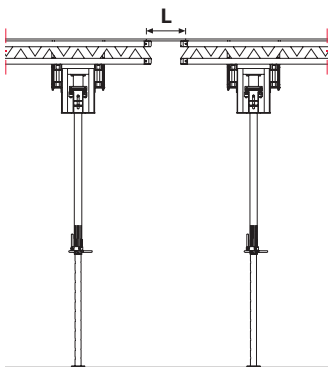
Striking play, Infilling

Initial planning should ensure ease of striking after concreting. The infill area can be used for temporary support.



The fillers are located at the column areas.

Transverse infill



Longitudinal infill

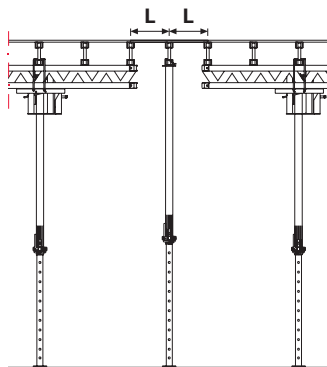


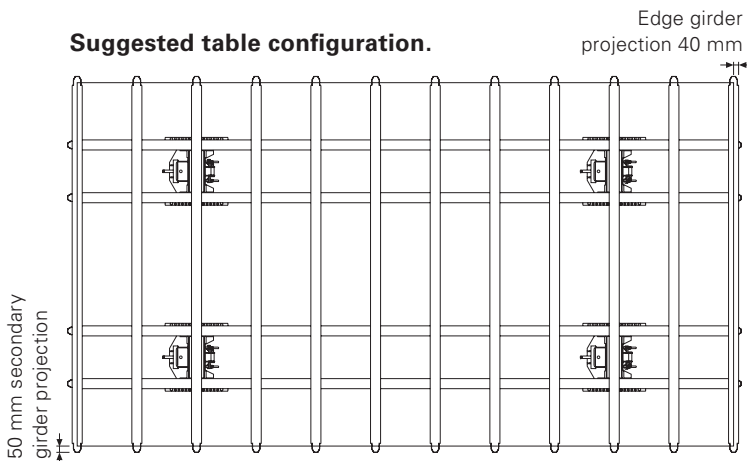
Chart of permissible spans L [m] for plywood

Slab thickness h [m]	PERI Spruce 21 mm	Fin-Ply 21 mm	3-S (cross) 21mm	PERI Beto 21 mm
0.20	0.58	0.62	0.24	0.58
0.25	0.54	0.58	0.22	0.54
0.30	0.51	0.54	0.21	0.51
0.35	0.48	0.52	0.20	0.48
0.40	0.46	0.50	0.19	0.46
0.45	0.44	0.48	0.18	0.44
0.50	0.43	0.46	0.17	0.43

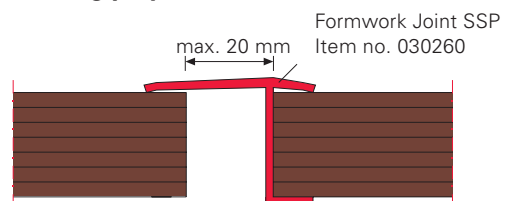
Note:

The permissible deflection of a single span is $L/300$.
The infilling increases the loads on props of the slab tables.

Suggested table configuration.



Striking play 20 mm



Note:

Concreting requires horizontal restraint all the way round, provided by the formlining for example. The joint must therefore be wedged or the tables connected by other means.

Slab Tables in generell

Cycling with Lifting Fork

With the PERI Lifting Fork 1.0 t / 5.0 m or 1.75 t / 8.0 m, the following slab table systems can be moved:

- PD 8
- UNIPORTAL
- Table Modules VT
- MULTIPROP

Follow the Instructions for Use provided with the Lifting Fork.

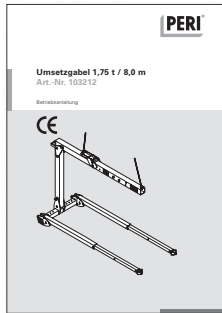
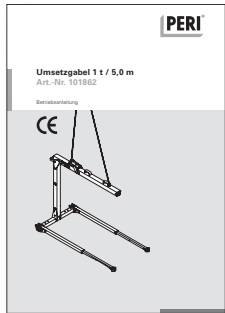
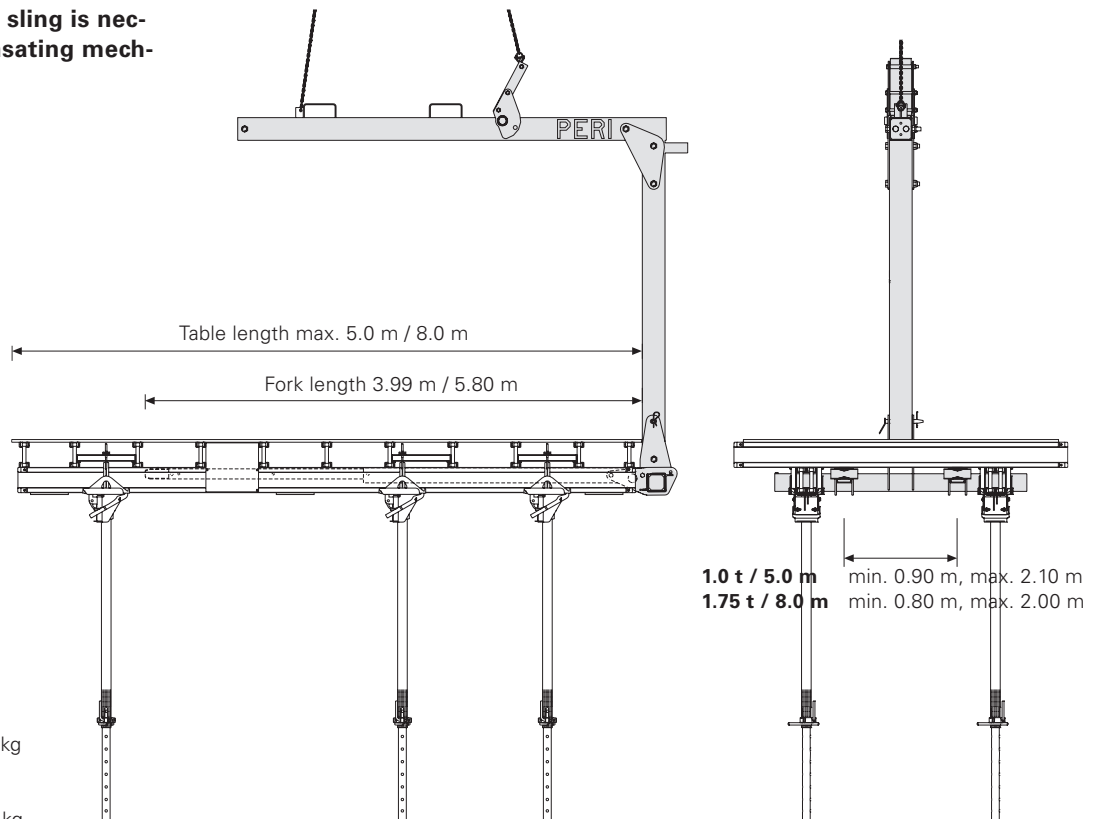


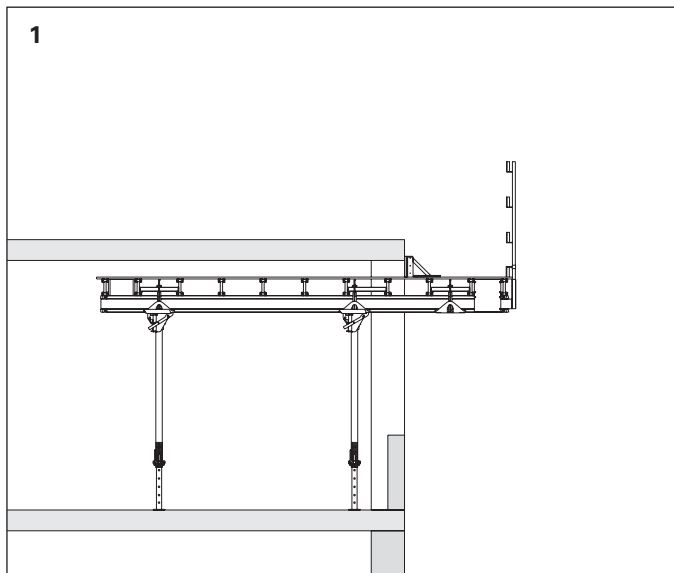
Table Module VT moved with the Lifting Fork 1.0 t / 5.0 m.

No alteration to the crane sling is necessary due to the compensating mechanism of the lifting fork.

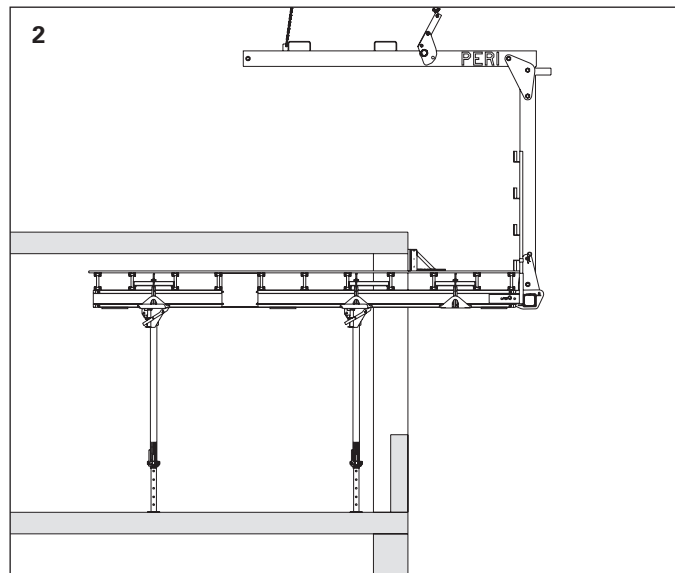


Lifting Fork 1.0 t / 5.0 m
Item no. 101862, weight: 575.00 kg

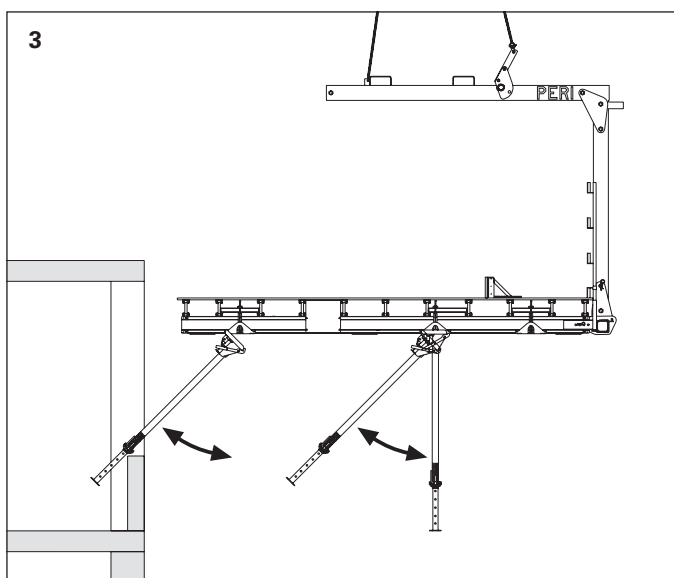
Lifting Fork 1.75 t / 8.0 m
Item no. 103212, weight: 1580.00 kg



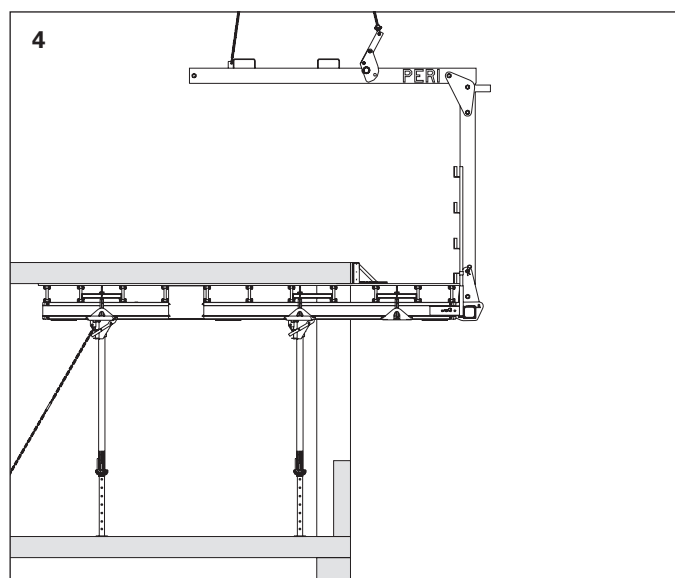
The formwork is struck once the concrete has reached the required strength. Lower props about 200 mm. Remove any intermediate props.



Position lifting fork underneath and align with table's centre of gravity. (Lifting Fork 1.0 t / 5.0 m or 1.75 t / 8.0 m must be swung right in under 5 m or 8 m long tables).



Lift slab table and carefully swing out of the building. (The props are folded out of the way to negotiate parapets).



Shift slab table to next point of use, align and set down after extending props to correct height. Concreting can take place after carrying out the fine adjustment.

Note:

Set the props to the correct height before lowering the tables.

Slab Tables in generell

Moving with Table Trolley

The PERI Table Trolley is used for horizontal movement and the fine adjustment of slab tables.

The undercarriage can be angled to negotiate doorways. Openings as narrow as 900 mm are passable.

Maximum working load: 2.0 t

Application height to bottom edge of formwork:

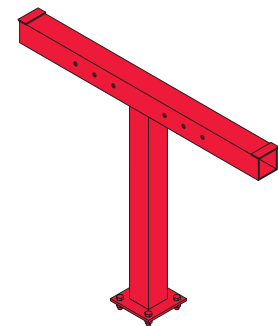
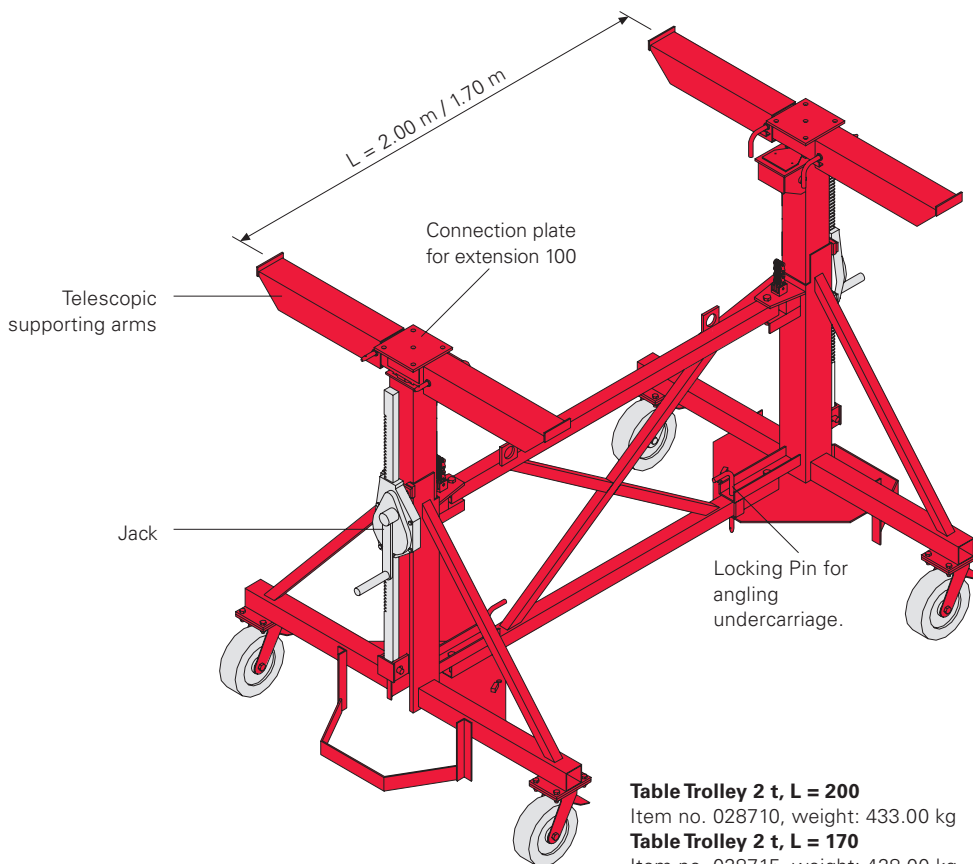
Without extension: 1.45 m - 3.20 m
 With Extension 100: 2.45 m - 4.20 m
 With Extension 100 and Extension 60: 3.05 m - 4.80 m

Note:

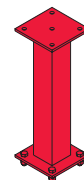
The Centre Cross Brace 170, Item no. 101854 must be inserted when using the Table Module VT 200 / 215 x 500 or 250 / 265 x 500.



Table Trolley used with Extension 100.



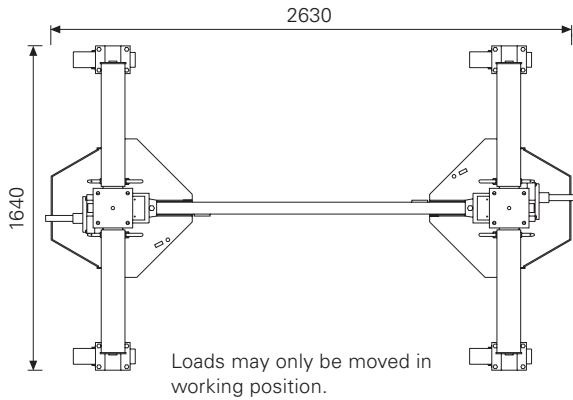
Extension 100 for Table Trolley
 Item no. 028720, weight: 34.60 kg



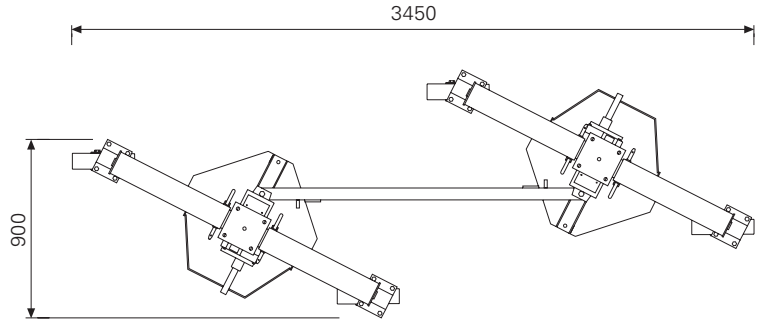
Extension 60 for Table Trolley
 Item no. 104050, weight: 15.10 kg

Table Trolley 2 t, L = 200
 Item no. 028710, weight: 433.00 kg
Table Trolley 2 t, L = 170
 Item no. 028715, weight: 428.00 kg

Working position:



For negotiating openings:

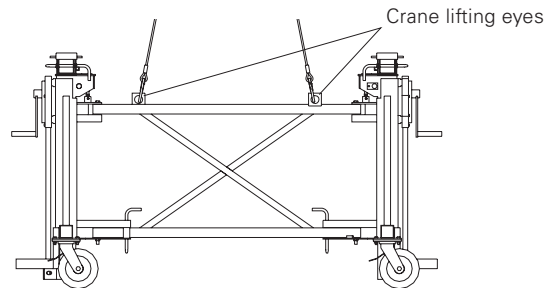


Remove Locking Pins then turn axles to angle undercarriage.

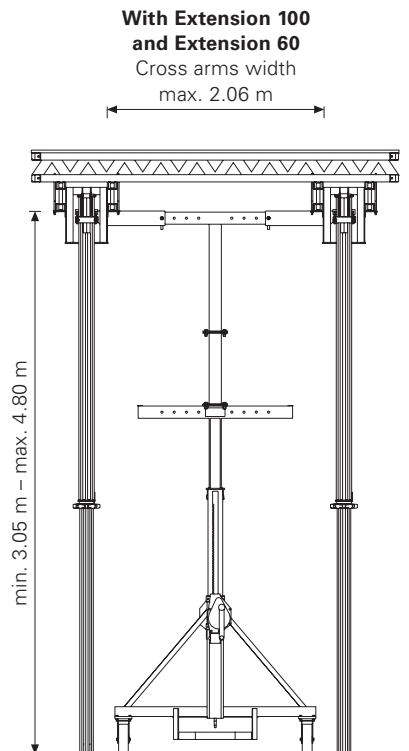
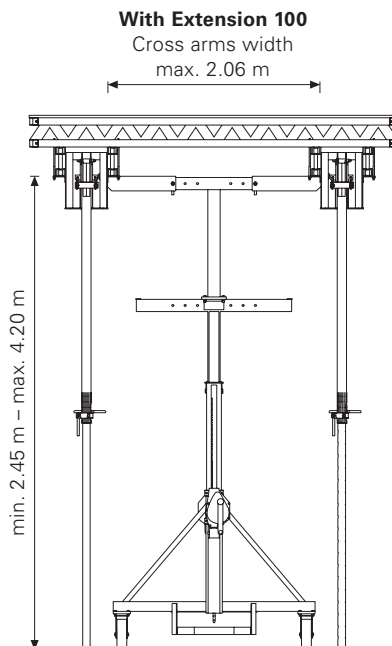
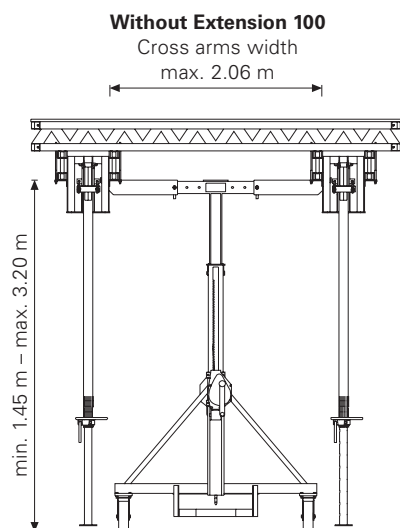
Instructions for use of Table Trolley:

- Not approved for transporting personnel.
- Only move load on clean and level surface.
- Loads may only be moved with trolley fully lowered.
- Operate the two jacks uniformly.
- Take up load symmetrically.
- Extend support arms equally.
- Bring undercarriage into work position before moving loads.

For lifting with crane:



Reach and width of Table Trolley:



Slab Tables in generell

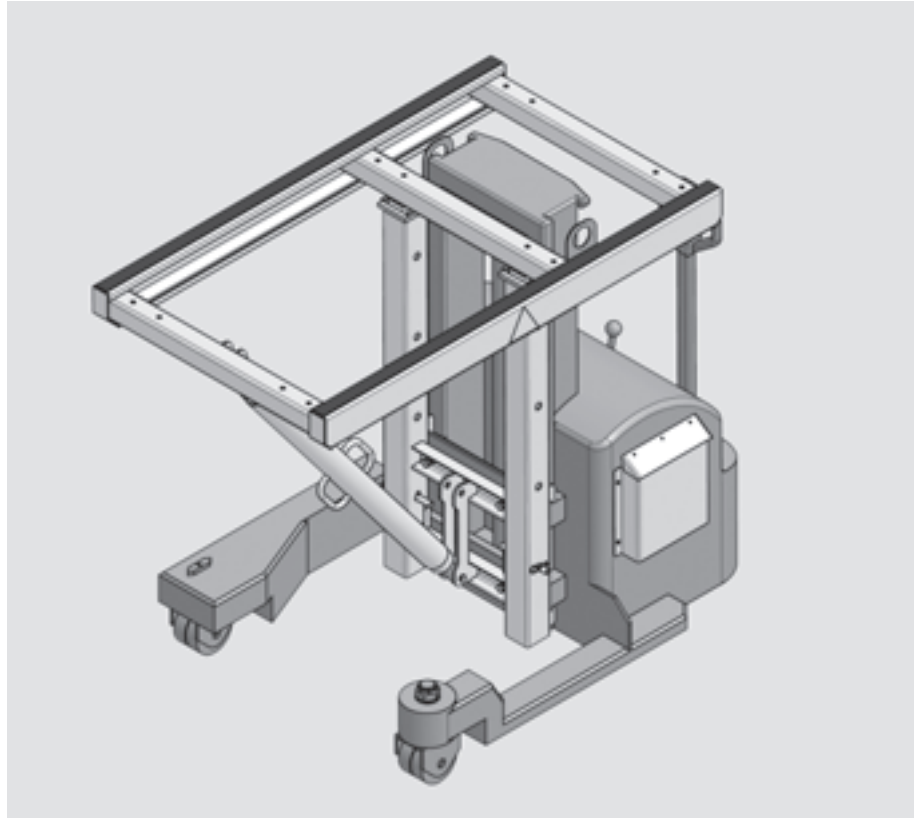
Moving with Table Lift PTL 1250

With the PERI Table Lift PTL 1250, slab tables are quickly and easily moved horizontally.

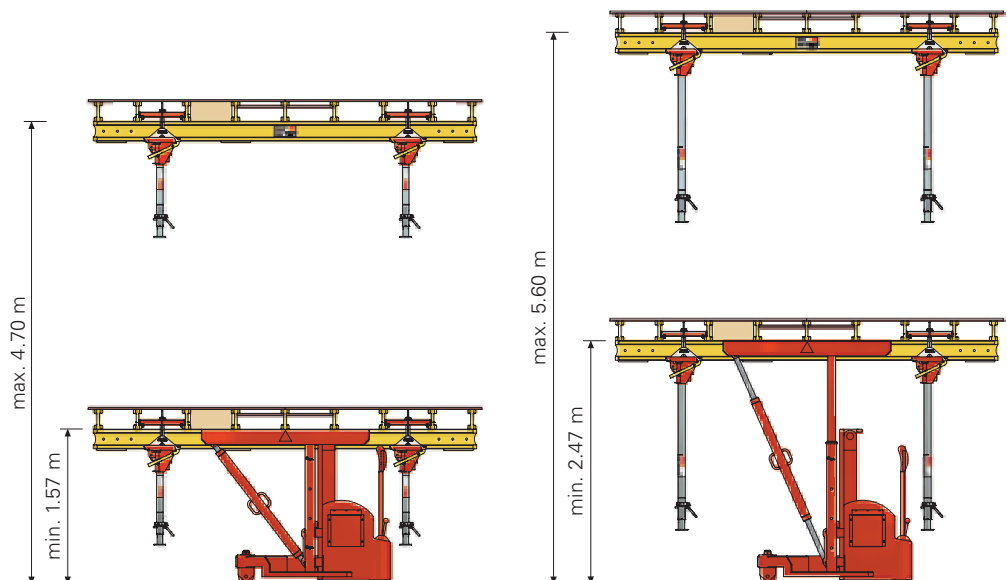
The electric drive function and the hydraulic lifting gear allows slab tables to be moved without any effort.

The important advantages of the PERI Table Lift PTL 1250:

- 1-man operation feature saves on manpower.
- Flexible manoeuvring due to the 4-way directional drive.
- Simple changeover 0° - 90° to transversal moving by means of control lever.
- Safe moving of slab tables by means of lift-dependent speed control.
- Integrated crane lifting eyes for on-site cross transportation.
- Slab tables up to a weight of 1250 kg can be safely moved.



PERI Table Lift PTL 1250
Item no. 108108,
weight: 1520.00 kg



The large reach and width of 1.57 m up to 5.60 m allow the PERI Table Lift PTL 1250 also to be used for parking garages.



Smooth steering procedure

For safe manoeuvring even in tight spaces thanks to the 4-way directional drive with "crab steering". The drawbar returns to a vertical braking position after being let go.

Perfect braking system

With dirt-protected, regulated disc brake feature.

Optimised power drive

- Smooth start up and acceleration up to maximum speed.
- Drive and control system take effect immediately when moving onto gradients, no uncontrolled rollback.
- After disengaging the drive switch, machine stops due to changeover to counter current.



Functional design

The optimal ergonomics of the drawbar (arrangement of the push buttons for the signal horn, lift and lowering) allow easy 1-handed operations.

The 1-man operation feature makes the PERI Table Lift very cost-effective.

Slab Props

PEP 20

Permissible Prop Load [kN] according to the Type Test

Extension Length [m]	PEP 20 N 260* L = 1.51 – 2.60 m		PEP 20 – 300 PEP 20 N 300* L = 1.71 – 3.00 m		PEP 20 – 350 PEP 20 N 350* L = 1.96 – 3.50 m		PEP 20 – 400 PEP 20 G 410* L = 2.21 – 4.00 m		PEP 20 – 500 L = 2.71 – 5.00	
	Outer Tube Bottom	Inner Tube Bottom	Outer Tube Bottom	Inner Tube Bottom	Outer Tube Bottom	Inner Tube Bottom	Outer Tube Bottom	Inner Tube Bottom	Outer Tube Bottom	Inner Tube Bottom
1.60	35.0	35.0								
1.70	35.0	35.0								
1.80	35.0	35.0	35.0	35.0						
1.90	35.0	35.0	35.0	35.0						
2.00	33.5	35.0	35.0	35.0	35.0	35.0				
2.10	31.9	35.0	32.2	35.0	35.0	35.0				
2.20	30.9	35.0	30.5	35.0	35.0	35.0				
2.30	29.8	35.0	29.0	35.0	35.0	35.0	35.0	35.0		
2.40	28.6	35.0	27.8	35.0	35.0	35.0	35.0	35.0		
2.50	27.1	32.9	26.9	35.0	35.0	35.0	35.0	35.0		
2.60	24.8	29.4	26.1	35.0	33.8	35.0	35.0	35.0		
2.70			24.9	31.7	32.4	35.0	35.0	35.0		
2.80			23.3	28.5	31.2	35.0	35.0	35.0	35.0	35.0
2.90			21.6	25.7	30.2	35.0	35.0	35.0	35.0	35.0
3.00			20.0	23.2	29.2	35.0	35.0	35.0	35.0	35.0
3.10					27.5	34.6	33.6	35.0	35.0	35.0
3.20					25.7	31.5	32.5	35.0	35.0	35.0
3.30					24.1	28.8	31.2	35.0	35.0	35.0
3.40					22.4	26.4	29.6	35.0	35.0	35.0
3.50					20.7	24.1	27.8	33.9	35.0	35.0
3.60							26.1	31.2	35.0	35.0
3.70							24.5	28.9	35.0	35.0
3.80							23.0	26.8	35.0	35.0
3.90							21.6	24.8	35.0	35.0
4.00							20.1	22.8	34.2	35.0
4.10									32.3	35.0
4.20									30.6	35.0
4.30									28.9	34.0
4.40									27.4	31.9
4.50									26.0	29.9
4.60									24.6	28.1
4.70									23.4	26.4
4.80									22.1	24.9
4.90									20.9	23.4
5.00									20.0	21.8

All PEP 20 Props conform with DIN EN 1065 class D with a permissible load for the entire extension range of minimum 20 kN.

All PEP 20 Props clamped in the Table Swivel Head or UNIportal Head fitted to PERI tableforms have a permissible load of minimum 30 kN over the entire extension range.

*For the N and G Props the application Inner Tube at Bottom is only possible with PERI Slab Tables or SKYDECK (bolted head).

PEP 30

Permissible Prop Load [kN] according to the Type Test

Extension Length [m]	PEP 30 – 150		PEP 30 – 250		PEP 30 – 300		PEP 30 – 350		PEP 30 – 400	
	L = 0.96 – 1.50 m		L = 1.46 – 2.50 m		PEP 30 G 300* L = 1.71 – 3.00 m		PEP 30 G 350* L = 1.96 – 3.50 m		L = 2.21 – 4.00 m	
	Outer Tube Bottom	Inner Tube Bottom	Outer Tube Bottom	Inner Tube Bottom	Outer Tube Bottom	Inner Tube Bottom	Outer Tube Bottom	Inner Tube Bottom	Outer Tube Bottom	Inner Tube Bottom
1.00	35.0	35.0								
1.10	35.0	35.0								
1.20	35.0	35.0								
1.30	34.9	35.0								
1.40	34.2	35.0								
1.50	33.5	35.0	40.0	40.0						
1.60			40.0	40.0						
1.70			40.0	40.0						
1.80			40.0	40.0	40.0	40.0				
1.90			38.5	40.0	40.0	40.0				
2.00			36.8	40.0	40.0	40.0	40.0	40.0		
2.10			35.3	40.0	40.0	40.0	40.0	40.0		
2.20			34.4	40.0	40.0	40.0	40.0	40.0		
2.30			33.3	40.0	40.0	40.0	40.0	40.0	40.0	40.0
2.40			32.1	37.6	40.0	40.0	40.0	40.0	40.0	40.0
2.50			30.1	34.8	39.9	40.0	40.0	40.0	40.0	40.0
2.60					38.8	40.0	40.0	40.0	40.0	40.0
2.70					37.4	40.0	40.0	40.0	40.0	40.0
2.80					35.8	40.0	40.0	40.0	40.0	40.0
2.90					33.2	37.2	40.0	40.0	40.0	40.0
3.00					30.4	33.8	40.0	40.0	40.0	40.0
3.10							40.0	40.0	40.0	40.0
3.20							37.6	40.0	40.0	40.0
3.30							35.0	37.6	40.0	40.0
3.40							32.3	34.6	40.0	40.0
3.50							30.0	31.6	40.0	40.0
3.60									40.0	40.0
3.70									40.0	40.0
3.80									37.4	40.0
3.90									34.8	37.0
4.00									32.2	33.9

All PEP 30 Props conform with DIN EN 1065 class E with a permissible load for the entire extension range of minimum 30 kN.

All PEP 30 Props clamped in the Table Swivel Head or UNIPORTAL Head fitted to PERI tableforms have a permissible load of minimum 40 kN (PEP 30-150 = 35 kN) over the entire extension range.

*For the N and G Props the application Inner Tube at Bottom is only possible with PERI Slab Tables or SKYDECK (bolted head).

Slab Props

MULTIPROP 250, 350, 480, 625

Permissible Prop Load [kN] according to the Type Test

Extension Length [m]	MP 250 l = 1.45 – 2.50 m		MP 350 l = 1.95 – 3.50 m		MP 480 l = 2.60 – 4.80 m		MP 625 l = 4.30 – 6.25 m			
	Outer Tube Bottom	Inner Tube Bottom	Outer Tube Bottom	Inner Tube Bottom	Outer Tube Bottom	Inner Tube Bottom	Outer Tube Bottom	Inner Tube Bottom		
1.45	73.3	76.2								
1.50	73.3	76.2								
1.60	73.3	76.2								
1.70	73.3	76.2								
1.80	71.7	76.2								
1.90	68.6	76.2								
1.95	67.0	76.2	88.3	87.4						
2.00	65.4	76.2	88.3	87.4						
2.10	63.8	74.6	83.0	87.4						
2.20	62.2	73.0	77.7	87.4						
2.30	61.1	70.5	72.9	86.6						
2.40	60.6	67.0	68.6	85.1						
2.50	60.0	63.6	64.4	83.5						
2.60			61.9	80.7	85.9	71.4				
2.70			59.3	77.8	81.2	71.1				
2.80			57.5	74.9	76.5	70.8				
2.90			55.7	71.9	71.8	70.4				
3.00			54.3	68.3	67.1	70.1				
3.10			52.9	64.6	63.0	69.4				
3.20			51.4	60.0	58.9	68.6				
3.30			49.8	55.4	54.8	67.9				
3.40			46.4	50.3	52.5	66.2				
3.50			42.9	45.1	50.2	64.5				
3.60					47.9	62.8				
3.70					46.0	58.6				
3.80					44.2	54.4				
3.90					42.3	50.2				
4.00					40.4	46.9				
4.10					38.5	43.7				
4.20					36.6	40.4				
4.30					34.8	38.2	56.2	44.6		
4.40					32.9	36.0	54.7	44.6		
4.50					31.1	33.7	53.1	44.6		
4.60					29.3	31.5	50.9	43.8		
4.70					27.4	29.3	48.8	43.0		
4.80					25.6	27.1	46.4	42.1		
4.90							43.8	41.2		
5.00							41.2	40.3		
5.10	MULTIPROPS are classified according to official approval as follows: MP 250 = Class T 25 MP 350 = Class R 35 MP 480 = Class D 45 MP 625 = Class D 60 Note: We recommend using the HD Wingnut Spanner, Item no. 022027, to release the loads > 60 kN. MULTIPROP 350 and 480 clamped in the Table Swivel Head or UNIPORTAL Head fitted to PERI tableforms have a permissible load of minimum 56 kN for the MP 350, and minimum of 36 kN for the MP 480 over the entire extension range.								38.6	38.8
5.20									36.1	37.3
5.30									33.8	35.9
5.40									31.9	34.5
5.50									29.9	33.1
5.60									28.4	31.6
5.70									26.9	30.1
5.80									25.5	28.6
5.90									24.3	27.0
6.00									23.1	25.4
6.10									22.0	24.1
6.20									20.9	22.8
6.25									20.4	22.1

Plywood 21 mm

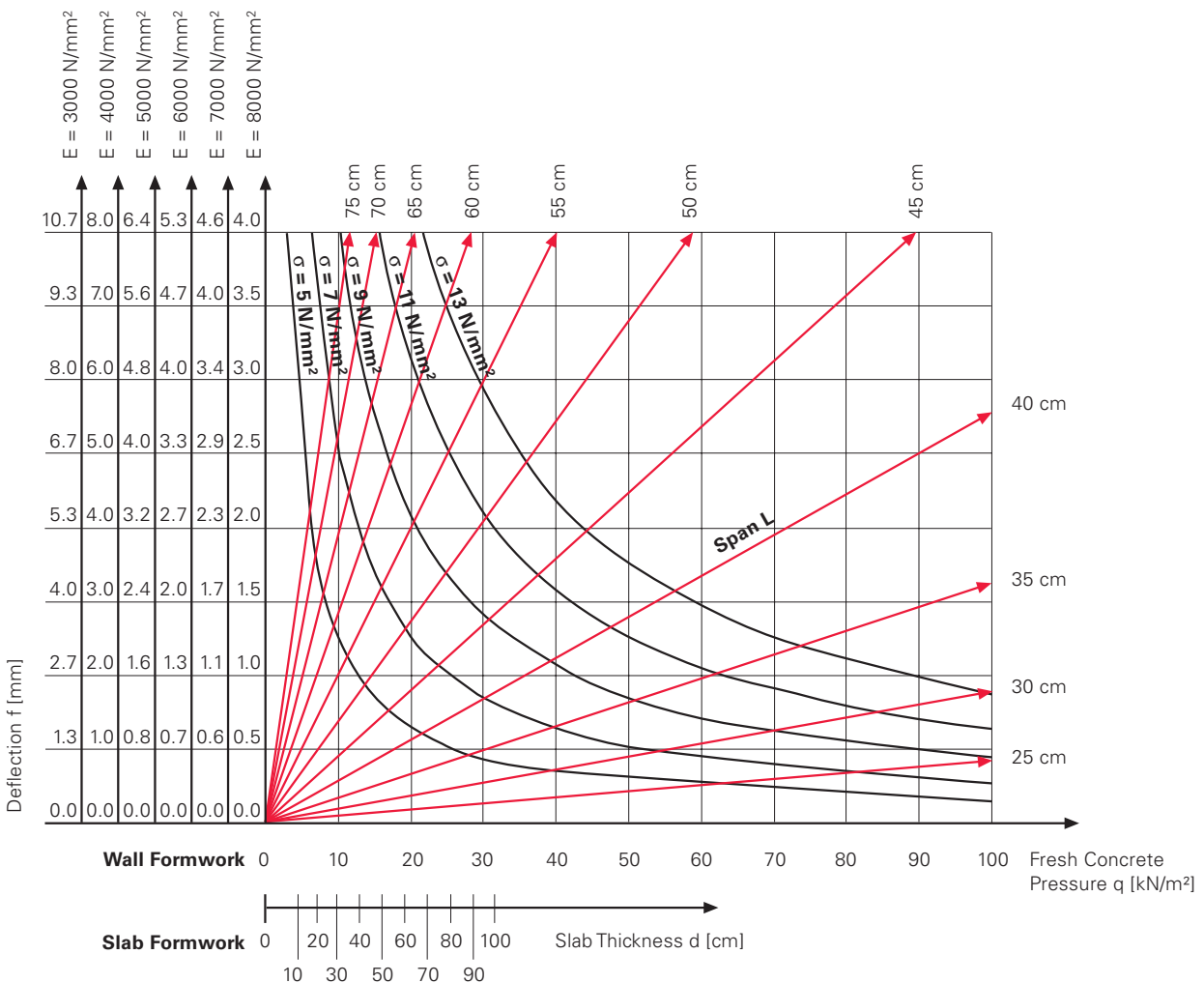
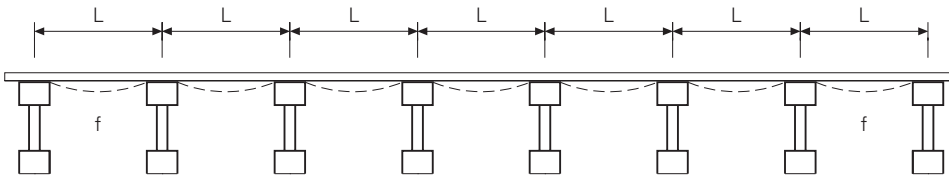
The E-Modulus and the permissible stress are based on the grade and moisture content of the plywood.
(See page "Overview, Static Values")

max. deflection

$$f = \frac{0.0068 \cdot q \cdot L^4}{E \cdot I}$$

max. moment
(valid for min. 3 spans)

$$M = 0.1071 \cdot q \cdot L^2$$



MULTIFLEX

GT 24 used as Slab Girder

Slab Thickness [m]		0.10			0.12			0.14			0.16			0.18			0.20		
Load q* [kN/m²]		4.5			5.0			5.5			6.1			6.6			7.1		
Sec. Girder Spacing a [m]		0.75	0.625	0.50	0.75	0.625	0.50	0.75	0.625	0.50	0.75	0.625	0.50	0.75	0.625	0.50	0.75	0.625	0.50
Prop Spacing c [m]	0.60	3.79	4.03	4.34	3.60	3.82	4.12	3.44	3.65	3.93	3.30	3.51	3.78	3.18	3.38	3.64	3.08	3.27	3.53
		10.2	10.9	11.7	10.8	11.5	12.4	11.4	12.1	13.1	12.0	12.7	13.7	12.6	13.4	14.4	13.1	13.9	15.0
	0.90	3.79	4.03	4.34	3.60	3.82	4.12	3.44	3.65	3.93	3.30	3.51	3.78	3.18	3.38	3.64	3.08	3.27	3.53
		15.4	16.3	17.6	16.3	17.3	18.6	17.1	18.2	19.6	18.0	19.1	20.6	18.9	20.0	21.6	19.7	20.9	22.5
	1.20	3.79	4.03	4.34	3.60	3.82	4.12	3.44	3.65	3.93	3.30	3.51	3.78	3.18	3.38	3.55	3.08	3.27	3.29
		20.5	21.8	23.5	21.7	23.0	24.8	22.8	24.3	26.1	24.0	25.5	27.5	25.1	26.7	28.0	26.3	27.9	28.0
	1.50	3.79	4.03	4.15	3.60	3.72	3.72	3.37	3.37	3.37	3.08	3.08	3.08	2.84	2.84	2.84	2.63	2.63	2.63
		25.6	27.2	28.0	27.1	28.0	28.0	28.0	28.0	28.0	28.0	28.0	28.0	28.0	28.0	28.0	28.0	28.0	28.0
	1.80	3.18	3.18	3.18	2.85	2.85	2.85	2.58	2.58	2.58	2.36	2.36	2.36	2.18	2.18	2.18	2.02	2.02	2.02
		28.0	28.0	28.0	28.0	28.0	28.0	28.0	28.0	28.0	28.0	28.0	28.0	28.0	28.0	28.0	28.0	28.0	28.0
	2.10	2.43	2.43	2.43	2.17	2.17	2.17	1.97	1.97	1.97	1.80	1.80	1.80	1.66	1.66	1.66	1.54	1.54	1.54
		28.0	28.0	28.0	28.0	28.0	28.0	28.0	28.0	28.0	28.0	28.0	28.0	28.0	28.0	28.0	28.0	28.0	28.0
	2.40	2.07	2.07	2.07	1.86	1.86	1.86	1.68	1.68	1.68	1.54	1.54	1.54	1.42	1.42	1.42	1.31	1.31	1.31
		28.0	28.0	28.0	28.0	28.0	28.0	28.0	28.0	28.0	28.0	28.0	28.0	28.0	28.0	28.0	28.0	28.0	28.0

Slab Thickness [m]		0.22			0.24			0.26			0.28			0.30			0.35	
Load q* [kN/m²]		7.6			8.1			8.7			9.2			9.8			11.3	
Sec. Girder Spacing a [m]		0.75	0.625	0.50	0.625	0.50	0.40	0.625	0.50	0.40	0.625	0.50	0.40	0.625	0.50	0.40	0.50	0.40
Prop Spacing c [m]	0.60	2.99	3.18	3.42	3.09	3.33	3.59	3.02	3.25	3.50	2.95	3.17	3.42	2.88	3.11	3.35	2.96	3.19
		13.7	14.5	15.7	15.1	16.3	17.5	15.7	16.9	18.2	16.2	17.5	18.8	16.9	18.2	19.6	20.1	21.6
	0.90	2.99	3.18	3.42	3.09	3.33	3.59	3.02	3.25	3.50	2.95	3.17	3.39	2.88	3.11	3.19	2.75	2.75
		20.5	21.8	23.5	22.7	24.4	26.3	23.5	25.3	27.3	24.3	26.2	28.0	25.3	27.3	28.0	28.0	28.0
	1.20	2.99	3.06	3.06	2.87	2.87	2.87	2.69	2.69	2.69	2.54	2.54	2.54	2.39	2.39	2.39	2.06	2.06
		27.4	28.0	28.0	28.0	28.0	28.0	28.0	28.0	28.0	28.0	28.0	28.0	28.0	28.0	28.0	28.0	28.0
	1.50	2.45	2.45	2.45	2.29	2.29	2.29	2.16	2.16	2.16	2.03	2.03	2.03	1.91	1.91	1.91	1.65	1.65
		28.0	28.0	28.0	28.0	28.0	28.0	28.0	28.0	28.0	28.0	28.0	28.0	28.0	28.0	28.0	28.0	28.0
	1.80	1.88	1.88	1.88	1.76	1.76	1.76	1.65	1.65	1.65	1.56	1.56	1.56	1.47	1.47	1.47	1.26	1.26
		28.0	28.0	28.0	28.0	28.0	28.0	28.0	28.0	28.0	28.0	28.0	28.0	28.0	28.0	28.0	28.0	28.0
	2.10	1.43	1.43	1.43	1.34	1.34	1.34	1.26	1.26	1.26	1.19	1.19	1.19	1.12	1.12	1.12	0.96	0.96
		28.0	28.0	28.0	28.0	28.0	28.0	28.0	28.0	28.0	28.0	28.0	28.0	28.0	28.0	28.0	28.0	28.0
	2.40	1.22	1.22	1.22	1.15	1.15	1.15	1.08	1.08	1.08	1.02	1.02	1.02	0.96	0.96	0.96	0.82	0.82
		28.0	28.0	28.0	28.0	28.0	28.0	28.0	28.0	28.0	28.0	28.0	28.0	28.0	28.0	28.0	28.0	28.0

Slab Thickness [m]		0.40		0.45		0.50		0.60		0.70		0.80		0.90		1.00	
Load q* [kN/m²]		12.9		14.4		16.0		19.1		22.2		25.4		28.5		31.4	
Sec. Girder Spacing a [m]		0.50	0.40	0.50	0.40	0.50	0.40	0.50	0.40	0.50	0.40	0.50	0.40	0.50	0.40	0.50	0.40
Prop Spacing c [m]	0.60	2.83	3.05	2.73	2.94	2.64	2.84	2.42	2.44	2.10	2.10	1.84	1.84	1.64	1.64	1.49	1.49
		21.9	23.6	23.6	25.5	25.3	27.3	27.8	28.0	28.0	28.0	28.0	28.0	28.0	28.0	28.0	28.0
	0.90	2.42	2.42	2.15	2.15	1.94	1.94	1.63	1.63	1.40	1.40	1.23	1.23	1.09	1.09	0.99	0.99
		28.0	28.0	28.0	28.0	28.0	28.0	28.0	28.0	28.0	28.0	28.0	28.0	28.0	28.0	28.0	28.0
	1.20	1.81	1.81	1.62	1.62	1.46	1.46	1.22	1.22	1.05	1.05	0.92	0.92	0.82	0.82	0.74	0.74
		28.0	28.0	28.0	28.0	28.0	28.0	28.0	28.0	28.0	28.0	28.0	28.0	28.0	28.0	28.0	28.0
	1.50	1.45	1.45	1.29	1.29	1.17	1.17	0.98	0.98	0.84	0.84	0.74	0.74	0.66	0.66	0.59	0.59
28.0		28.0	28.0	28.0	28.0	28.0	28.0	28.0	28.0	28.0	28.0	28.0	28.0	28.0	28.0	28.0	28.0
1.80	1.11	1.11	0.99	0.99	0.89	0.89	0.75	0.75	0.64	0.64	0.56	0.56	0.50	0.50	0.46	0.46	
	28.0	28.0	28.0	28.0	28.0	28.0	28.0	28.0	28.0	28.0	28.0	28.0	28.0	28.0	28.0	28.0	28.0
2.10	0.85	0.85	0.76	0.76	0.68	0.68	0.57	0.57	0.49	0.49	0.43	0.43	0.38	0.38	0.35	0.35	
	28.0	28.0	28.0	28.0	28.0	28.0	28.0	28.0	28.0	28.0	28.0	28.0	28.0	28.0	28.0	28.0	28.0
2.40	0.72	0.72	0.65	0.65	0.58	0.58	0.49	0.49	0.42	0.42	0.37	0.37	0.33	0.33	0.30	0.30	
	28.0	28.0	28.0	28.0	28.0	28.0	28.0	28.0	28.0	28.0	28.0	28.0	28.0	28.0	28.0	28.0	28.0

***Load according to DIN 4421:**

Dead load $g = 0.40 \text{ kN/m}^2$

Concrete Load $b = 26 \text{ kN/m}^3 \times d \text{ (m)}$

Live load $p = 0.20 \times b$
 $1.5 \leq p \leq 5.0 \text{ kN/m}^2$

Total load $q = g + b + p$

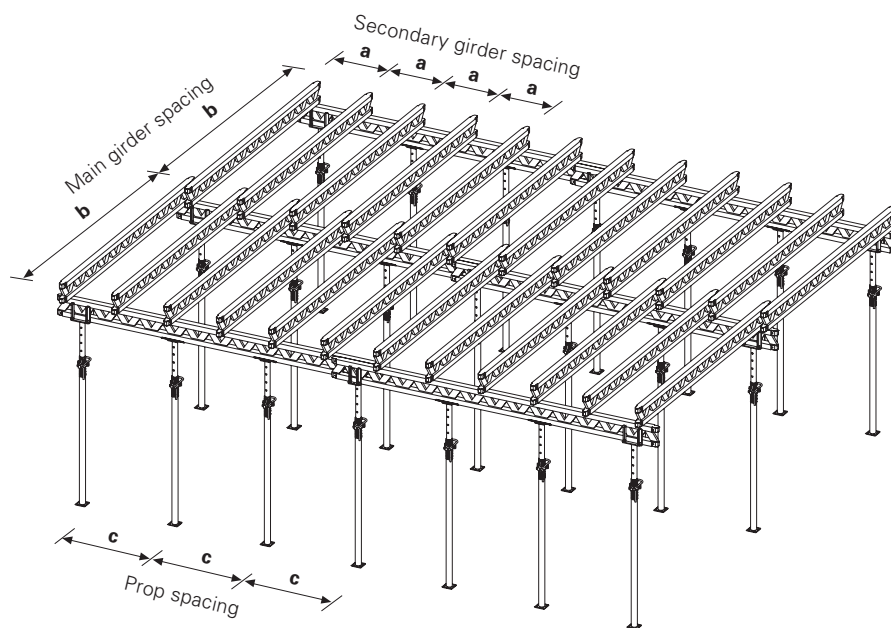
The deflection has been limited to $l/500$. Main girder support at centre of girder node. Secondary girder assumed as single span.

Table values mean the following:

2.87 perm. main girder spacing b [m]

28.0 actual prop load [kN]

Girder Lengths [m]	Item no.
0.90	075100
1.20	075120
1.50	075150
1.80	075180
2.10	075210
2.40	075240
2.70	075270
3.00	075300
3.30	075330
3.60	075360
3.90	075390
4.20	075420
4.50	075450
4.80	075480
5.10	075510
5.40	075540
5.70	075570
6.00	075600



MULTIFLEX

VT 20 used as Slab Girder

Slab Thickness [m]		0.10			0.12			0.14			0.16			0.18			0.20		
Load q* [kN/m²]		4.5			5.0			5.5			6.1			6.6			7.1		
Sec. Girder Spacing a [m]		0.75	0.625	0.50	0.75	0.625	0.50	0.75	0.625	0.50	0.75	0.625	0.50	0.75	0.625	0.50	0.75	0.625	0.50
Prop Spacing c [m]	0.60	3.10	3.30	3.55	2.94	3.13	3.37	2.81	2.99	3.22	2.70	2.87	3.09	2.60	2.77	2.98	2.52	2.68	2.89
		8.4	8.9	9.6	8.9	9.4	10.1	9.3	9.9	10.7	9.8	10.4	11.2	10.3	10.9	11.8	10.7	11.4	12.3
	0.90	3.10	3.30	3.55	2.94	3.13	3.37	2.81	2.99	3.22	2.70	2.87	3.09	2.60	2.77	2.98	2.52	2.68	2.89
		12.6	13.4	14.4	13.3	14.1	15.2	14.0	14.9	16.0	14.7	15.6	16.9	15.4	16.4	17.7	16.1	17.1	18.4
	1.20	3.10	3.30	3.55	2.94	3.13	3.37	2.81	2.99	3.22	2.70	2.87	3.03	2.60	2.77	2.79	2.52	2.58	2.58
		16.8	17.8	19.2	17.7	18.8	20.3	18.7	19.9	21.4	19.6	20.9	20.6	21.8	22.0	21.5	22.0	22.0	22.0
	1.50	3.10	3.26	3.26	2.92	2.92	2.92	2.65	2.65	2.65	2.42	2.42	2.42	2.23	2.23	2.23	2.07	2.07	2.07
		21.0	22.0	22.0	22.0	22.0	22.0	22.0	22.0	22.0	22.0	22.0	22.0	22.0	22.0	22.0	22.0	22.0	22.0
	1.80	2.50	2.50	2.50	2.24	2.24	2.24	2.03	2.03	2.03	1.86	1.86	1.86	1.71	1.71	1.71	1.59	1.59	1.59
		22.0	22.0	22.0	22.0	22.0	22.0	22.0	22.0	22.0	22.0	22.0	22.0	22.0	22.0	22.0	22.0	22.0	22.0
	2.10	1.91	1.91	1.91	1.71	1.71	1.71	1.55	1.55	1.55	1.42	1.42	1.42	1.30	1.30	1.30	1.21	1.21	1.21
		22.0	22.0	22.0	22.0	22.0	22.0	22.0	22.0	22.0	22.0	22.0	22.0	22.0	22.0	22.0	22.0	22.0	22.0
	2.40	1.54	1.54	1.54	1.38	1.38	1.38	1.25	1.25	1.25	1.15	1.15	1.15	1.06	1.06	1.06	0.98	0.98	0.98
		22.0	22.0	22.0	22.0	22.0	22.0	22.0	22.0	22.0	22.0	22.0	22.0	22.0	22.0	22.0	22.0	22.0	22.0

Slab Thickness [m]		0.22			0.24			0.26			0.28			0.30			0.35	
Load q* [kN/m²]		7.6			8.1			8.7			9.2			9.8			11.3	
Sec. Girder Spacing a [m]		0.75	0.625	0.50	0.625	0.50	0.40	0.625	0.50	0.40	0.625	0.50	0.40	0.625	0.50	0.40	0.50	0.40
Prop Spacing c [m]	0.60	2.45	2.60	2.80	2.53	2.73	2.94	2.47	2.66	2.86	2.41	2.60	2.80	2.36	2.54	2.74	2.42	2.61
		11.2	11.9	12.8	12.4	13.3	14.3	12.8	13.8	14.9	13.3	14.3	15.4	13.8	14.9	16.0	16.4	17.7
	0.90	2.45	2.60	2.80	2.53	2.73	2.94	2.47	2.66	2.82	2.41	2.60	2.66	2.36	2.50	2.50	2.16	2.16
		16.8	17.8	19.2	18.5	20.0	21.5	19.2	20.7	22.0	19.9	21.5	22.0	20.7	22.0	22.0	22.0	22.0
	1.20	2.41	2.41	2.41	2.25	2.25	2.25	2.12	2.12	2.12	2.00	2.00	2.00	1.88	1.88	1.88	1.62	1.62
		22.0	22.0	22.0	22.0	22.0	22.0	22.0	22.0	22.0	22.0	22.0	22.0	22.0	22.0	22.0	22.0	22.0
	1.50	1.92	1.92	1.92	1.80	1.80	1.80	1.69	1.69	1.69	1.60	1.60	1.60	1.50	1.50	1.59	1.30	1.30
		22.0	22.0	22.0	22.0	22.0	22.0	22.0	22.0	22.0	22.0	22.0	22.0	22.0	22.0	22.0	22.0	22.0
	1.80	1.48	1.48	1.48	1.38	1.38	1.38	1.30	1.30	1.30	1.23	1.23	1.23	1.15	1.15	1.15	1.00	1.00
		22.0	22.0	22.0	22.0	22.0	22.0	22.0	22.0	22.0	22.0	22.0	22.0	22.0	22.0	22.0	22.0	22.0
	2.10	1.13	1.13	1.13	1.05	1.05	1.05	0.99	0.99	0.99	0.93	0.93	0.93	0.88	0.88	0.88	0.76	0.76
		22.0	22.0	22.0	22.0	22.0	22.0	22.0	22.0	22.0	22.0	22.0	22.0	22.0	22.0	22.0	22.0	22.0
	2.40	0.91	0.91	0.91	0.85	0.85	0.85	0.80	0.80	0.80	0.76	0.76	0.76	0.71	0.71	0.71	0.61	0.61
		22.0	22.0	22.0	22.0	22.0	22.0	22.0	22.0	22.0	22.0	22.0	22.0	22.0	22.0	22.0	22.0	22.0

Slab Thickness [m]		0.40		0.45		0.50	
Load q* [kN/m²]		12.9		14.4		16.0	
Sec. Girder Spacing a [m]		0.50	0.40	0.50	0.40	0.50	0.40
Prop Spacing c [m]	0.60	2.32	2.50	2.23	2.40	2.16	2.29
		17.9	19.3	19.3	20.8	20.7	22.0
	0.90	1.90	1.90	1.69	1.69	1.53	1.53
		22.0	22.0	22.0	22.0	22.0	22.0
	1.20	1.42	1.42	1.27	1.27	1.15	1.15
		22.0	22.0	22.0	22.0	22.0	22.0
	1.50	1.14	1.14	1.02	1.02	0.92	0.92
		22.0	22.0	22.0	22.0	22.0	22.0
	1.80	0.87	0.87	0.78	0.78	0.70	0.70
		22.0	22.0	22.0	22.0	22.0	22.0
	2.10	0.67	0.67	0.59	0.59	0.54	0.54
		22.0	22.0	22.0	22.0	22.0	22.0
	2.40	0.54	0.54	0.48	0.48	0.43	0.43
		22.0	22.0	22.0	22.0	22.0	22.0

***Load according to DIN 4421:**

Dead load $g = 0.40 \text{ kN/m}^2$

Concrete load $b = 26 \text{ kN/m}^3 \times d \text{ (m)}$

Live load $p = 0.20 \times b$
 $1.5 \leq p \leq 5.0 \text{ kN/m}^2$

Total load $q = g + b + p$

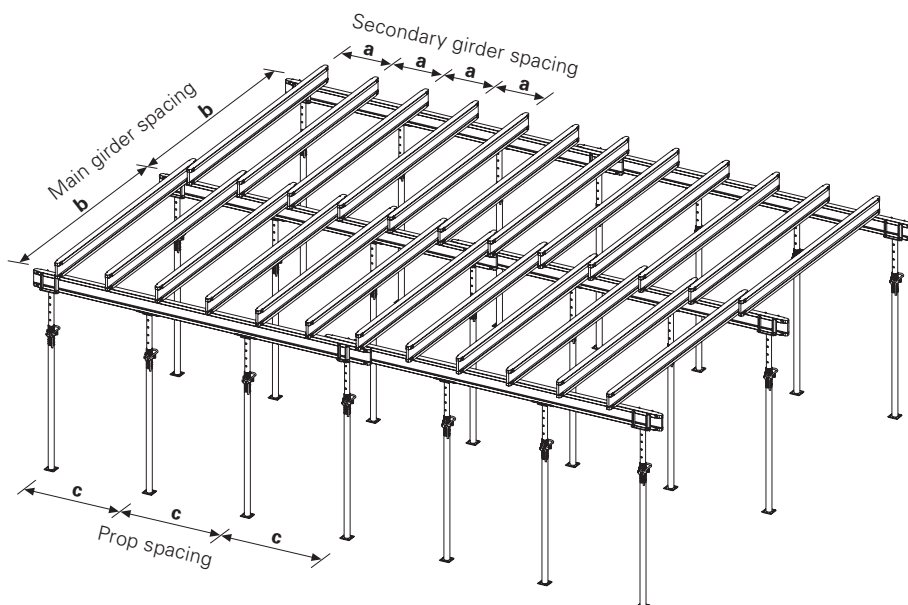
The deflection has been limited to $l/500$. Secondary girder assumed as single span.

Table values mean the following:

2.25 perm. main girder spacing b [m]

22.0 actual prop load [kN]

Girder Lengths [m]	Item no.
1.45	074990
2.15	074905
2.45	074910
2.65	074890
2.90	074920
3.30	074930
3.60	074940
3.90	074950
4.50	074960
4.90	074970
5.90	074980



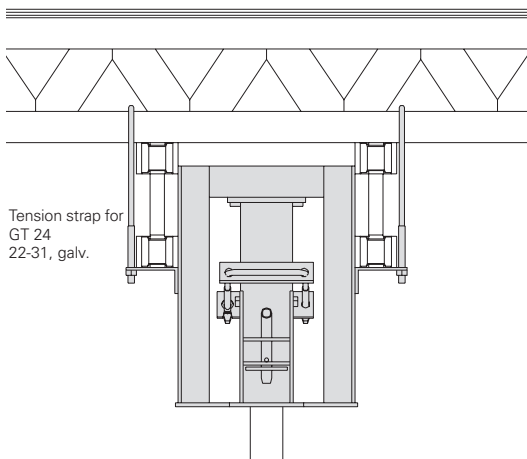
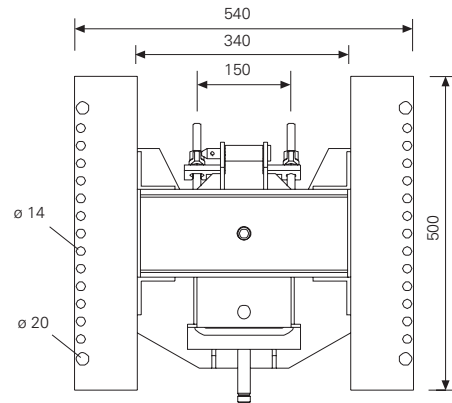
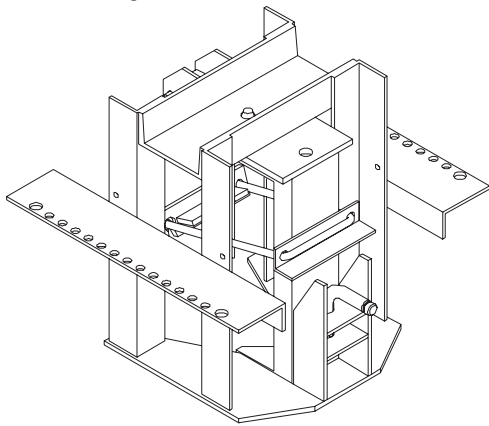
UNIportal, PERI Tableform and Accessories

Weight kg	Item no.
-----------	----------

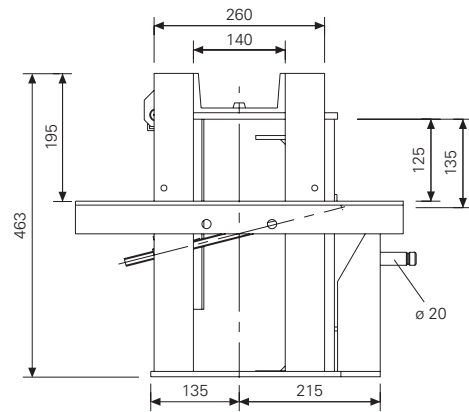
UNIportal Head, galv.

Complete with:
 Quick clamping device to connect
 standard steel props with $\varnothing 57\text{mm}$ or more
 as well as PERI MULTIPROPS.
 Safe working load = 56kN

37,90	028500
-------	--------



Stacking height = 770



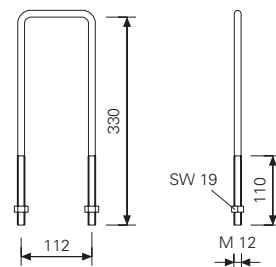
Accessories:

Tension Strap GT 24, 22-31, galv. (2x)

0,62	028550
------	--------

Tension Strap GT 24, 22-31, galv.
 2 per UNIportal Head needed.

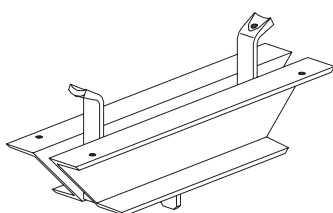
0,62	028550
------	--------



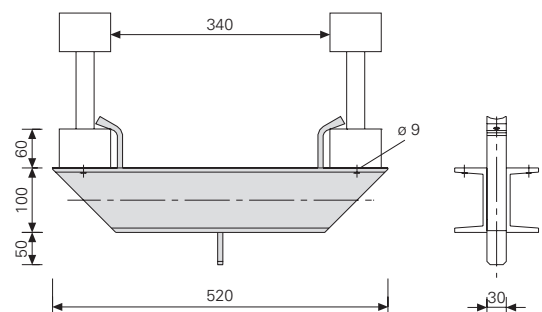
Yoke Waler UNIportal, galv.

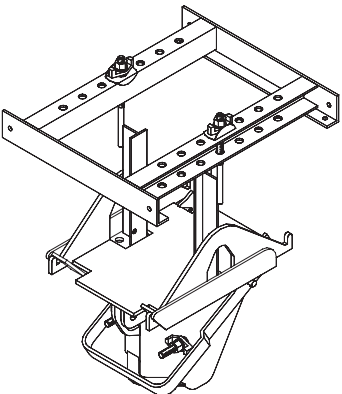
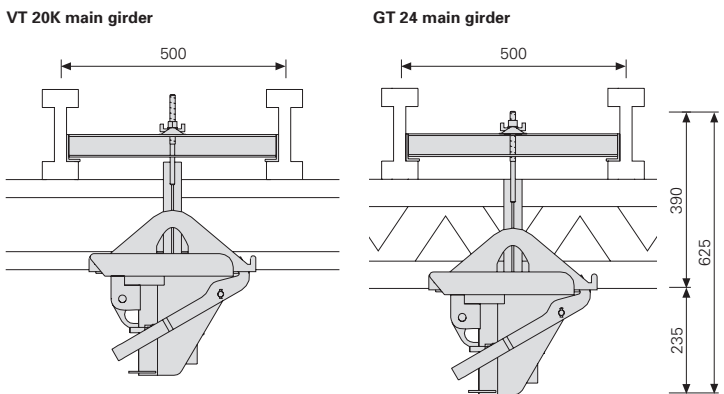
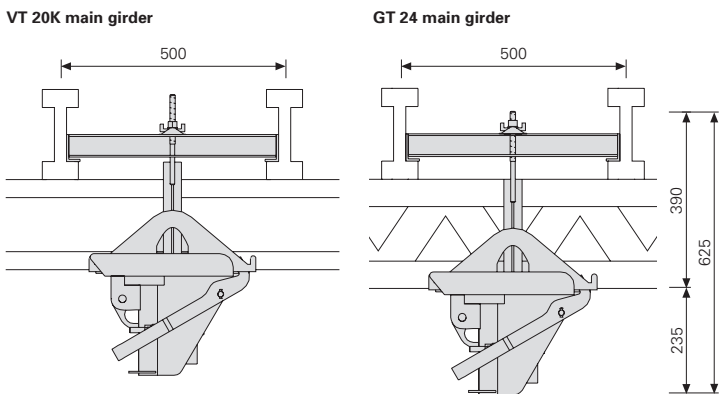
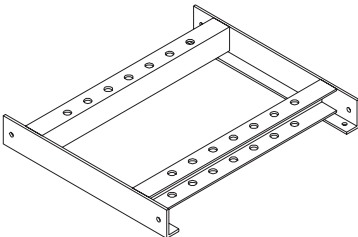
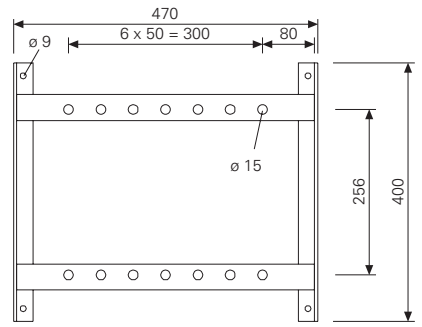
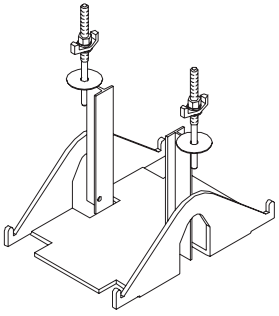
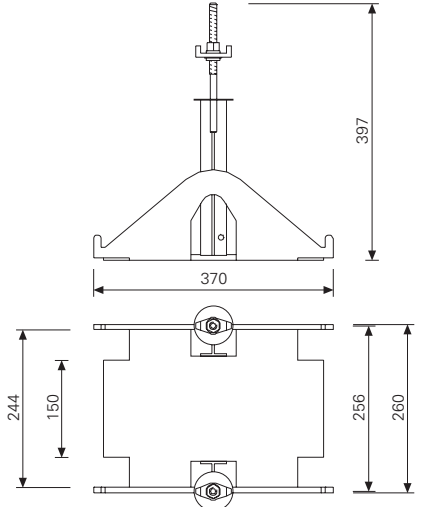
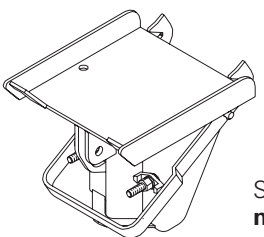
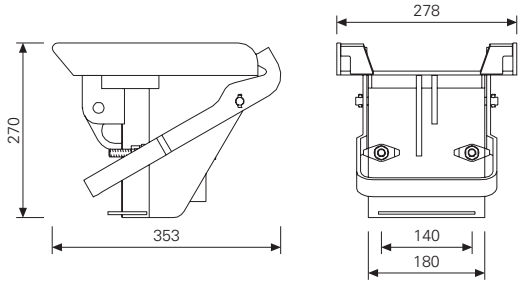
For additional support
 of UNIportal table forms.

9,85	028580
------	--------



Safe working load = 56kN
 when load is transferred concentrically



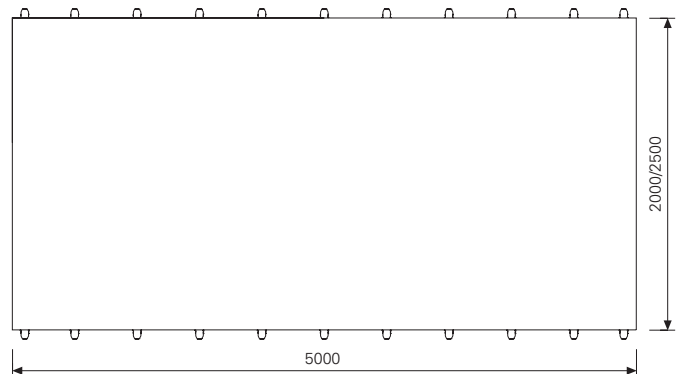
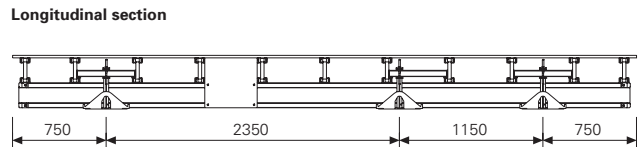
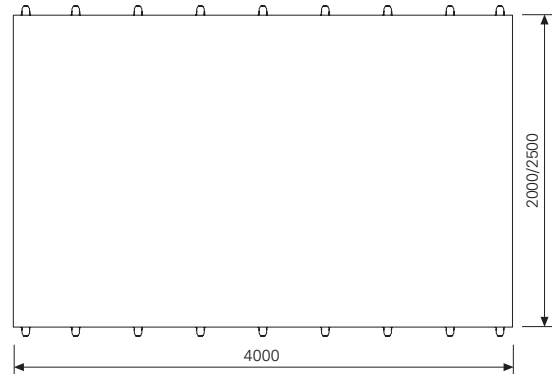
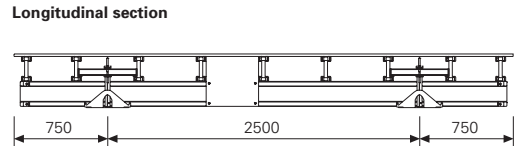
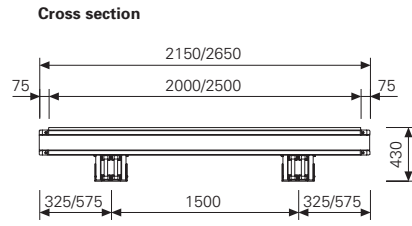
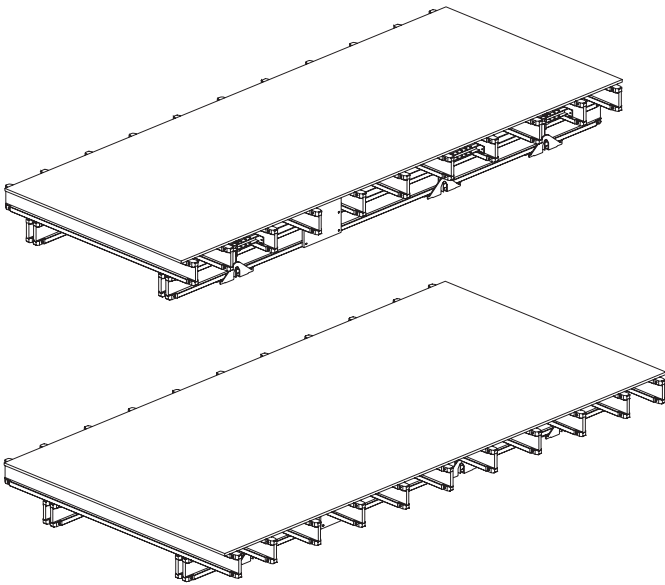
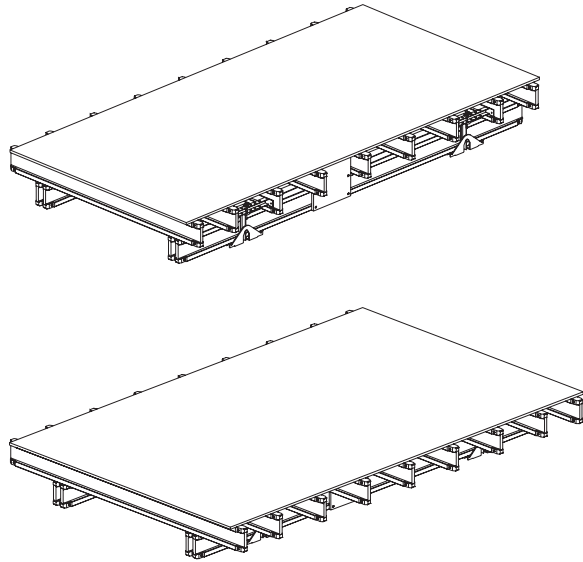
	Weight kg	Item no.	
<p>Table Swivel Head Consisting of: Upper Part of Table Swivel Head Middle Part of Table Swivel Head Lower Part of Table Swivel Head Load capacity: 56kN</p> 	6,08 9,06 11,80	100955 100954 100956	<p>VT 20K main girder</p>  <p>GT 24 main girder</p> 
<p>Upper Part of Table Swivel Head</p> 	6,08	100955	
<p>Middle Part of Table Swivel Head Complete with: mini wing nut Item no. 710338 (2x) and locking washer Item no. 100960 (2x)</p> 	9,06	100954	
<p>Lower Part of Table Swivel Head Complete with: quick-action clamp for connecting all common tubular steel props from \varnothing 57mm and PERI MULTIPROPS.</p>  <p>Spare part: mini wing nut</p>	11,80 0,093	100956 710338	

Weight kg	Item no.
396,0	072700
451,0	072720
503,0	072710
569,0	072730

VT Table Modules

Pre-assembled tableforms available for hire.
 Formlining:
 finnish combi plywood 21 mm
 Complete with:
 bottom part of table swivel head
 supplied loose

- VT Table Module VT 2,00/2,15x4,00m**
- VT Table Module VT 2,50/2,65x4,00m**
- VT Table Module VT 2,00/2,15x5,00m**
- VT Table Module VT 2,50/2,65x5,00m**



Stiffening Board, timber, 420x400mm

1,76	100778
11,80	100956

Accessories:

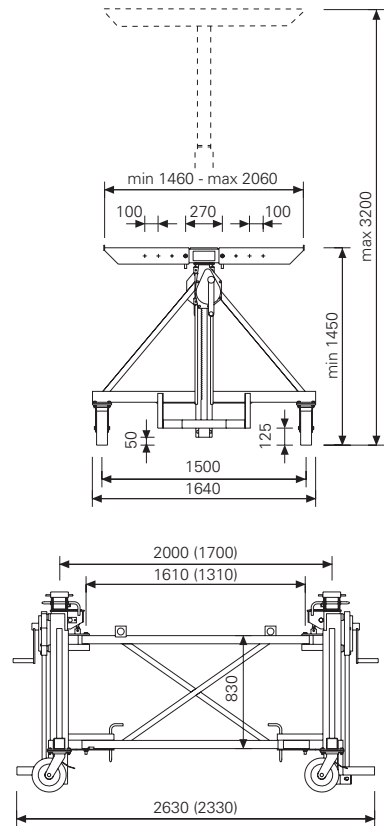
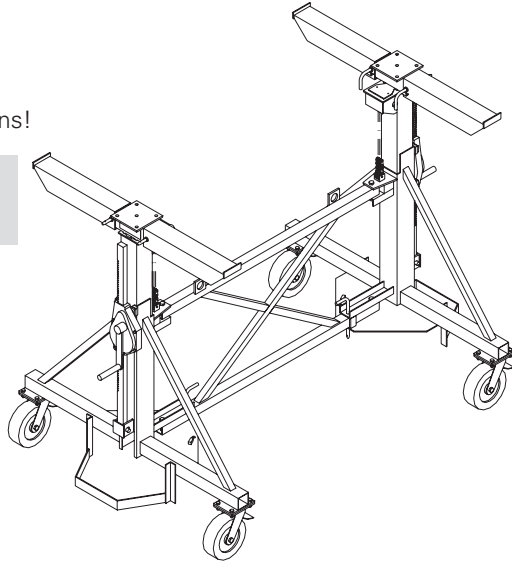
Lower Part of Table Swivel Head

Weight kg	Item no.
433,00	028710
428,00	028715

Table Striking and Transportation Trolley 2t, L = 200
Table Striking and Transportation Trolley 2t, L = 170

For moving PERI tableforms.
 Not approved for transporting personnel.
 Only move on clean, level and sufficiently strong surface.
 Comply with relevant safety regulations.
 Minimum Height: 1,45m,
 Maximum Height: 3,20m
 with extension 100: 4,20m
 with extension 60 and
 extension 100: 4,80m
 Observe operating instructions!

Lifting appliance to
 BGV D8.
 Perm. load of each jack: 1t



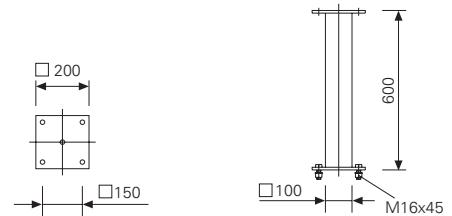
Accessories:

Centre Cross Bracing 200
Centre Cross Bracing 170

26,30	102251
21,80	101854

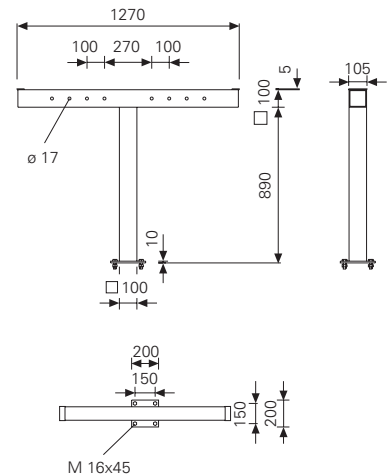
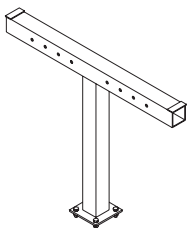
Extension 60

2 extensions per trolley
 With the extensions 60 and 100 the working heights of the transportation trolley are raised to a minimum height of 3,05m and a maximum height of 4,80m.
 Complete with:
 Hex. Bolt ISO 4017 M16x45-8.8, galv. and with Hex. Nut ISO 7042 M16-8, galv. (4x)



Extension 100 for Table striking and Transportation Trolley

2 extensions per trolley.
 Use trolley's telescopic arms.
 The Extension 100 increases the trolley's working height:
 Min. height: 2,45m, max. height: 4,20m
 Complete with:
 Hex. Bolt ISO 4017 M16x45-8.8, galv. and with Hex. Nut ISO 7042 M16-8, galv. (4x)



Weight kg Item no.

PERI Table Lift PTL 1250

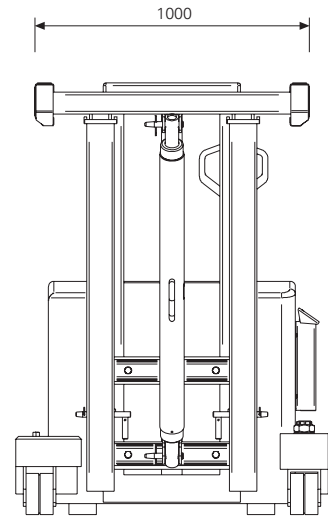
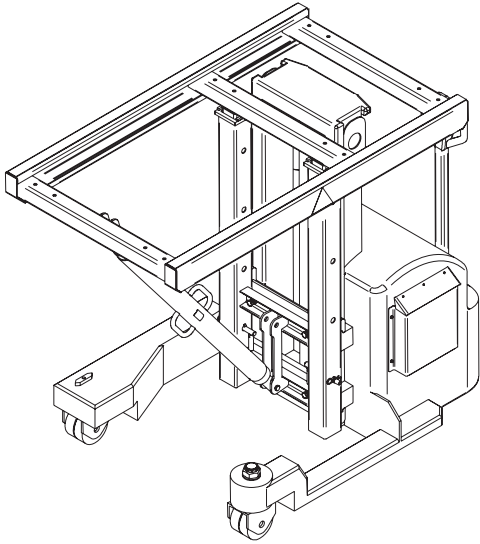
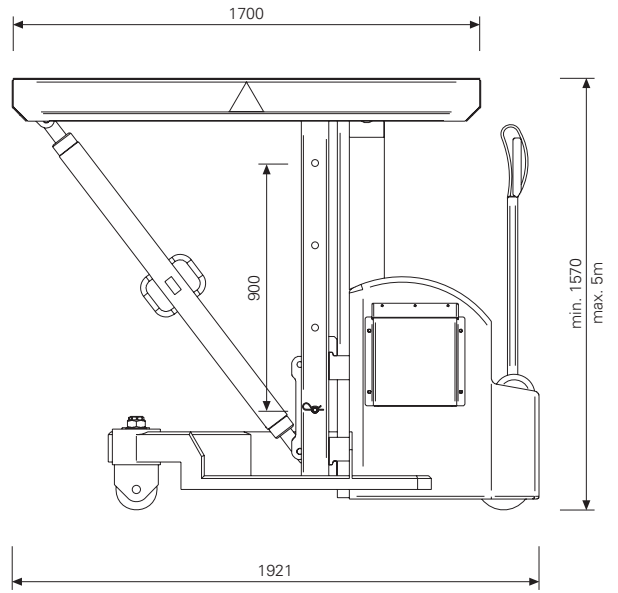
For moving PERI slab tables.
Not approved for transporting personnel.
Use only on clean, flat and sufficiently
load-carrying surfaces.
Observe valid safety regulations.

Min. height: 1,6m
Max. height: 5m
Load-bearing capacity: 1250kg
Required current supply for loading
procedure: 230V 50/60Hz
Follow operating instructions.

Floor conveyor vehicle
Load-bearing capacity: 1250kg

Complete with:
Canister with distilled water
Vehicle key
Documentation

1488,0 108108



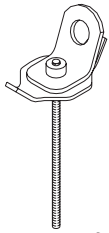
Weight kg Item no.

UNIportal Crane Lifting Unit

Consisting of:

Crane Lifting Unit, Upper Part

Follow Instructions for Use!



Lifting device to BGR 500
Permissible load: 500kg with
legs of lifting gear at $\leq 30^\circ$
to the vertical.

3,51

028570

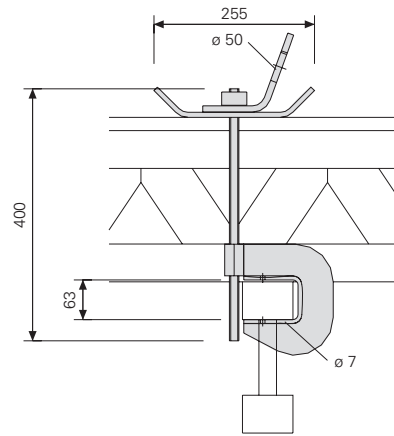
**Lifting Unit,
Lower Part UNIportal**



Load-bearing point
Permissible load: 500kg

1,83

028560



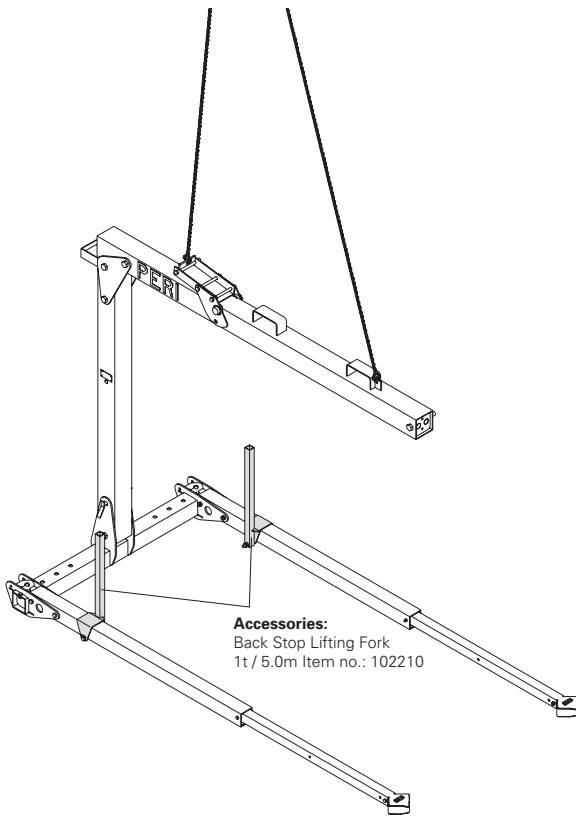
Lifting Fork 1t / 5,0m, galv.

Table length: up to 5,0m

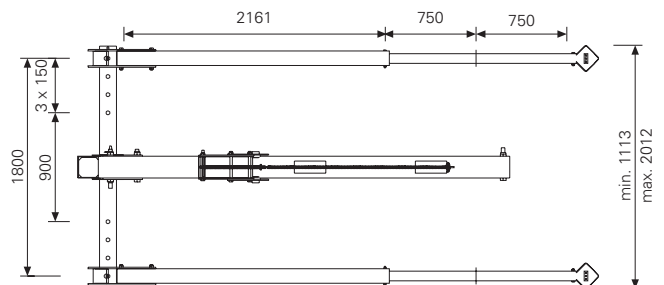
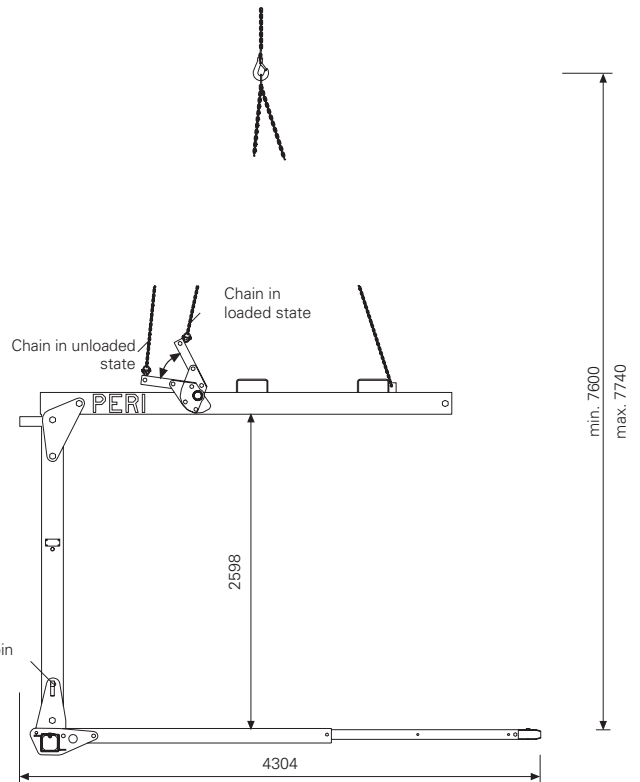
Follow Instructions for Use!

564,00

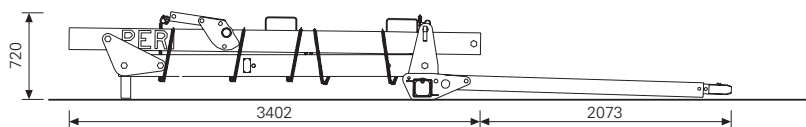
101862



Accessories:
Back Stop Lifting Fork
1t / 5.0m Item no.: 102210



Stacking height

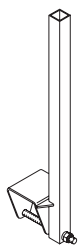


Lifting device to
BGR 500
Perm. load: 1,0t

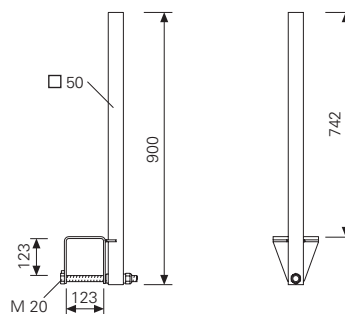
Weight kg	Item no.
-----------	----------

Back Stop Lifting Fork 1t / 5,0m

Always use in pairs.



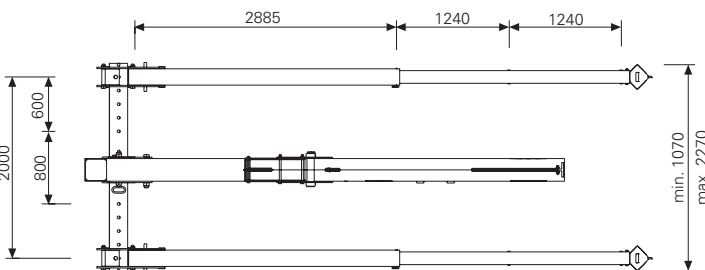
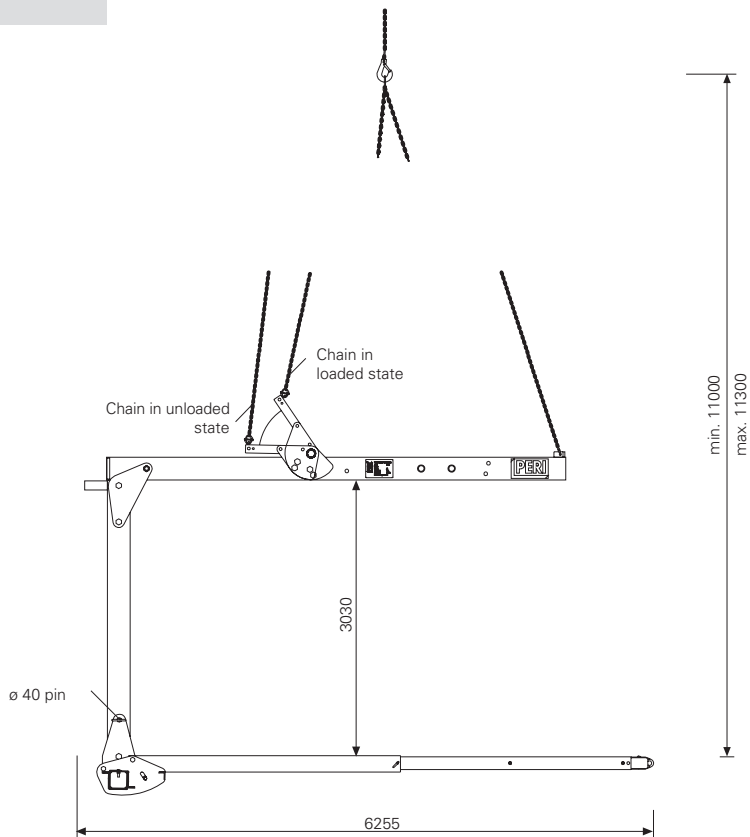
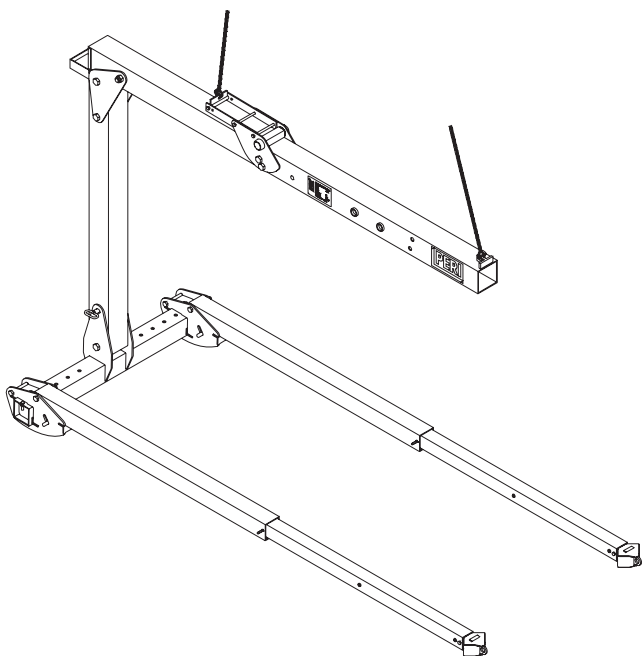
8,61	102210
------	--------



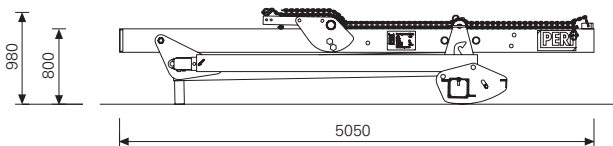
Lifting fork 1,75t / 8,0m, galv.

Table length: up to 8,0m
Follow Instructions for Use!

1552,00	103212
---------	--------



Stacking height

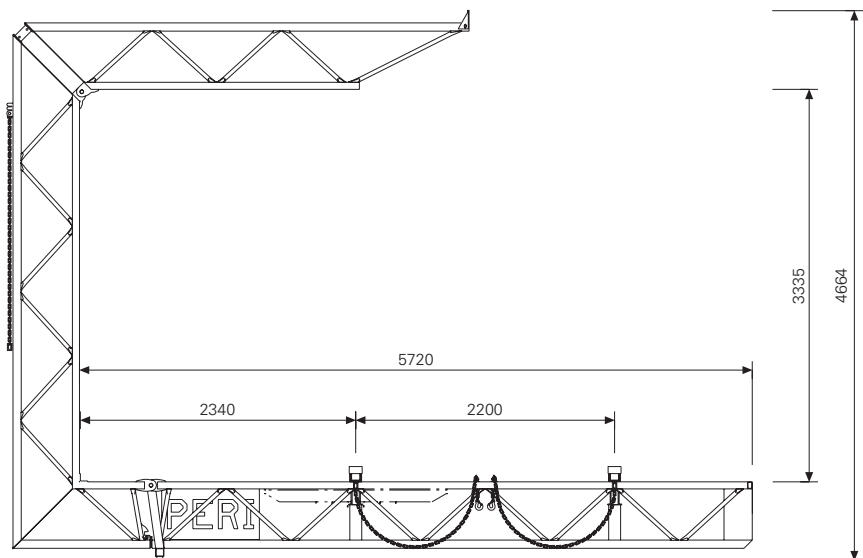
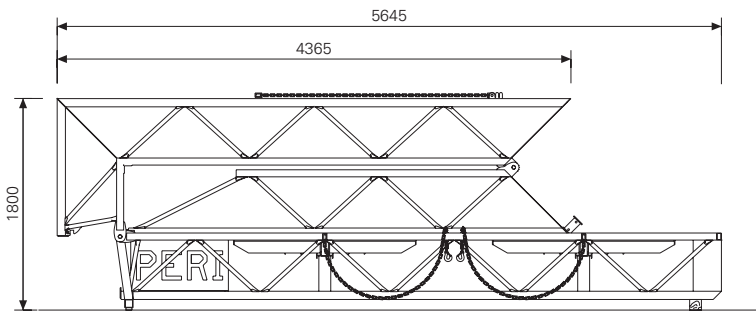
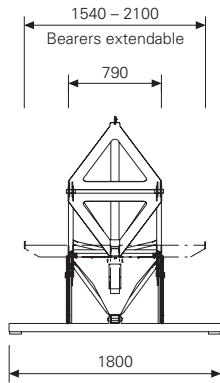
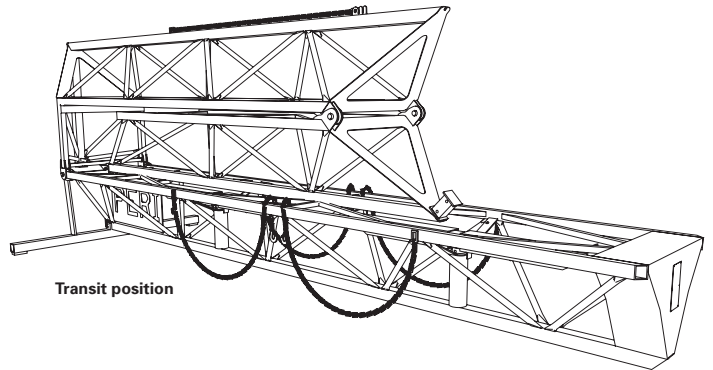
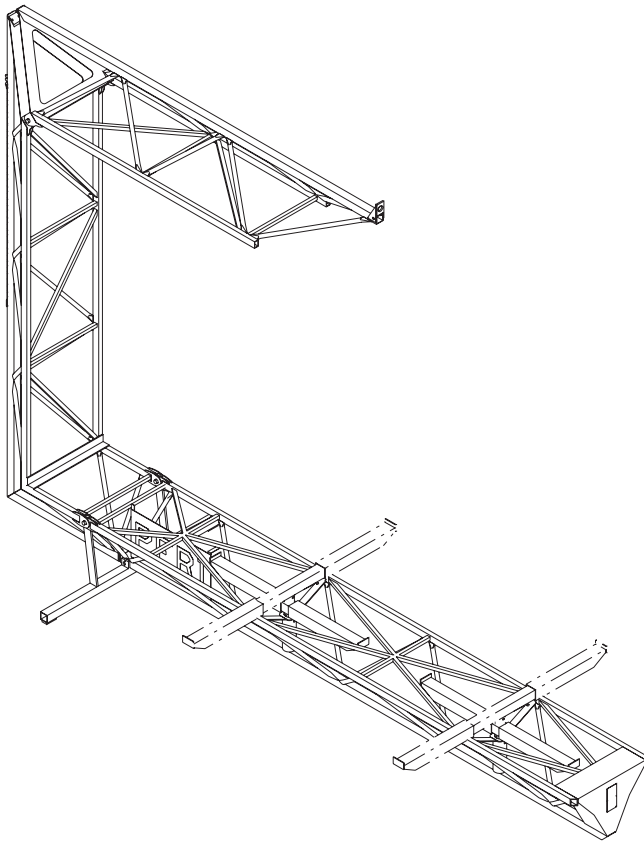


Lifting device to
BGR 500
Perm. load: 1,75t

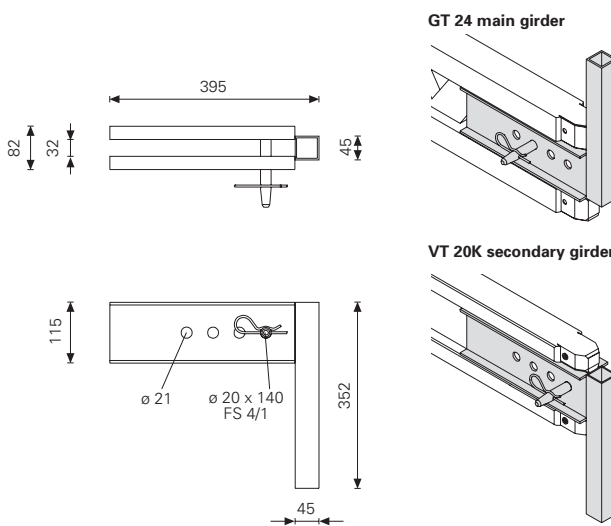
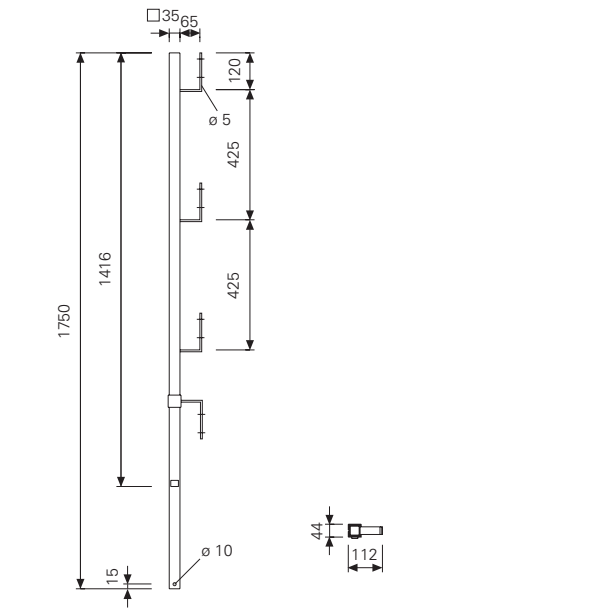
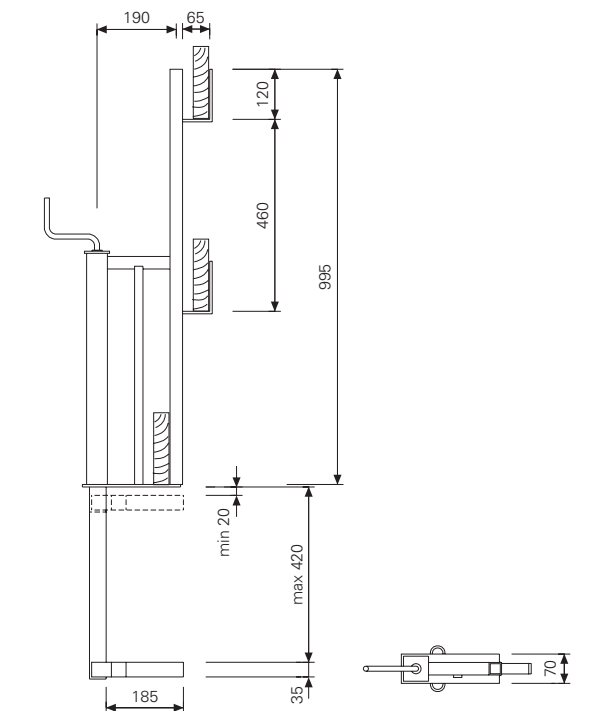
Manufacture of items shown on this page has been discontinued. These items are only available from rental stock.

Weight kg	Item no.
924,00	019130

Hook 15kN, galv.
 Table length 4,0 up to 7,0m
 Follow Instructions for Use!



Lifting device to
 BGR 500
 Perm. load: 1,5t

	Weight kg	Item no.	
<p>Handrail Holder GT 24/VT 20 For using the safety handrail post SGP. Complete with: pin 20x140 (1x) and cotter pin 4/1 (1x) For mounting on primary girder: vertical SHS upwards; secondary girder: vertical SHS downwards;</p>	5,67	101290	
<p>Accessories: Handrail Post SGP</p>	5,82	061260	
<p>Handrail Post SGP For use with GT 24/VT 20 handrail holder.</p>	5,82	061260	
<p>Handrail Holder For easy and quick clamping to concrete slabs for supporting handrails. Adjustable from 20 up to 420mm.</p>	9,79	035700	

GT 24 Girder

German Approval

Certificate No. Z-9.1-157

Perm. Shear Force Q_D = 14,0kN*

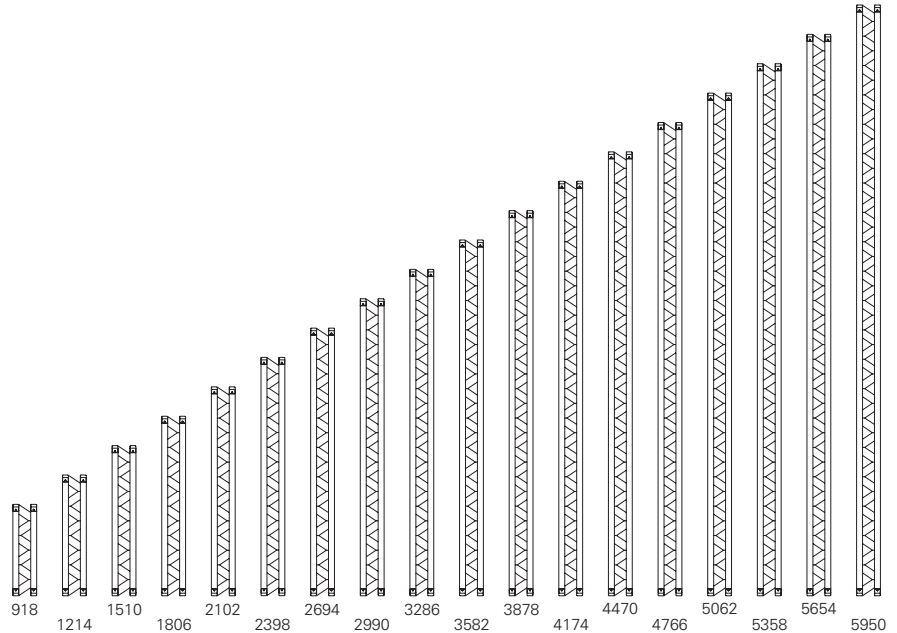
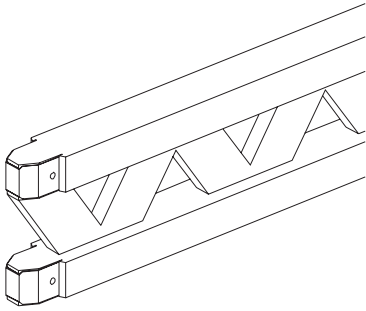
* Q_D = Permiss. shear force on compression struts

Perm. Shear Force Q_Z = 13,0kN**

** Q_Z = Permiss. shear force on tension struts

Perm. Bending Moment M = 7,0kNm

Moment of Inertia I_y = 8000cm⁴



To simplify handling the most common GT 24 Girders are colour coded for length.

- brown
- grey
- blue
- red
- green

Nominal Lengths

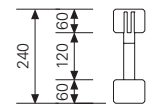
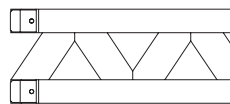
0,60m RF

0,90m	4,45	075090
1,20m	5,30	075100
1,50m	7,10	075120
1,80m	8,90	075150
2,10m	10,60	075180
2,40m	12,40	075210
2,70m	14,20	075240
3,00m	15,90	075270
3,30m	17,70	075300
3,60m	19,50	075330
3,90m	21,20	075360
4,20m	23,00	075390
4,50m	24,80	075420
4,80m	26,60	075450
5,10m	28,30	075480
5,40m	30,10	075510
5,70m	31,90	075540
6,00m	33,60	075570
6,00m	35,40	075600

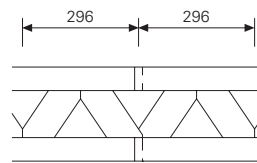
GT 24 Special Lengths

6,00-17,80m	5,90/m	075000
Girder Joint		070700

Girder end



Girder joint

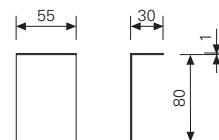


End Protection Cap GT 24, galv.

For protecting timber chord of girder against being sawn off accidentally.



0,06	070750
------	--------

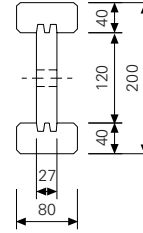
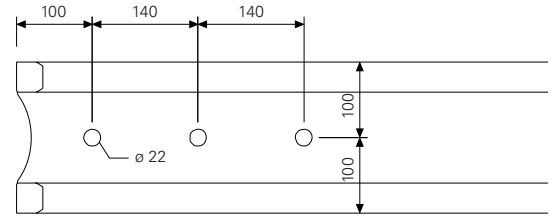
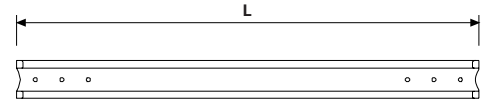
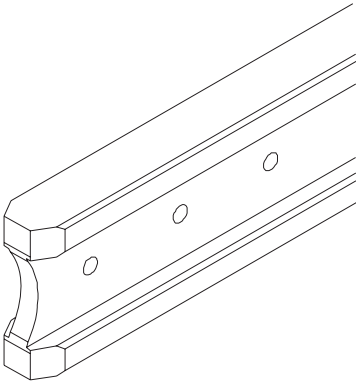


Weight kg Item no.

VT 20 Girder

German Approval
Certificate No. Z-9.1-216

perm. Q = 11,0kN
perm. M = 5,0kNm
 $I_y = 4290\text{cm}^4$



L	Weight kg	Item no.
1,45m	8,60	074990
2,15m	12,70	074905
2,45m	14,50	074910
2,65m	15,60	074890
2,90m	17,10	074920
3,30m	19,50	074930
3,60m	21,20	074940
3,90m	23,00	074950
4,50m	26,70	074960
4,90m	28,90	074970
5,90m	34,80	074980

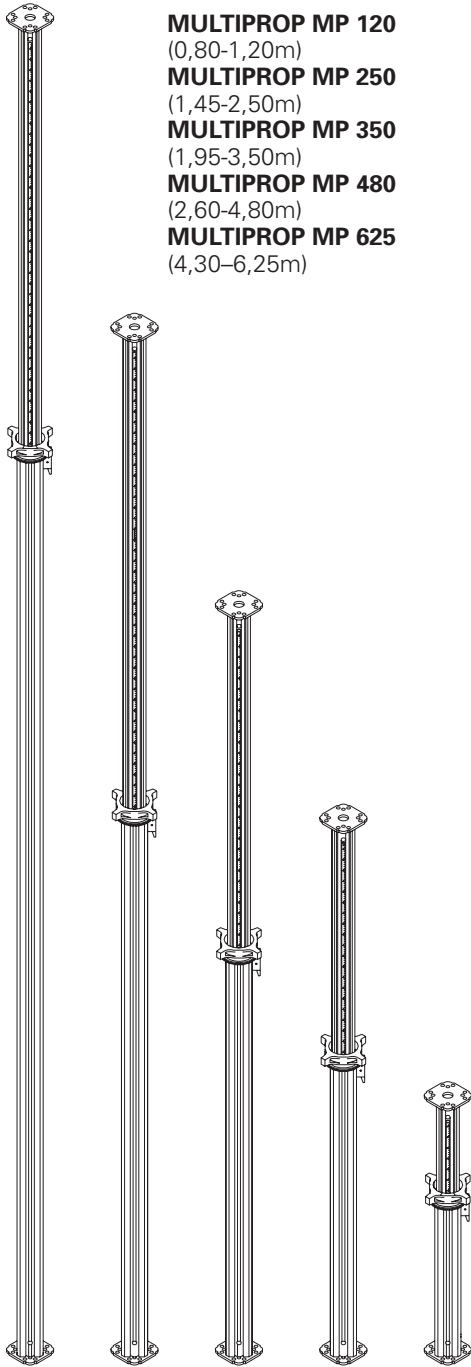
Cutting Cost VT Girder

074900

MULTIPROP and Accessories

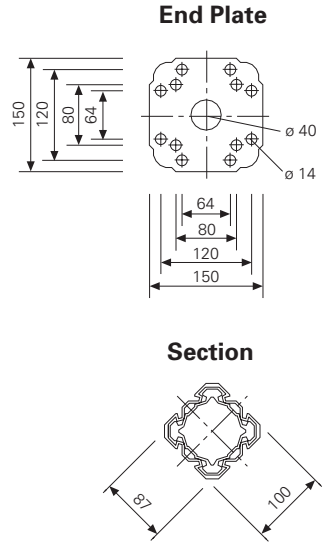
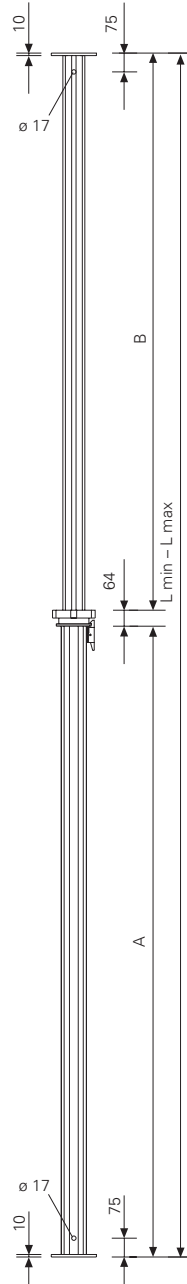
MULTIPROP MP, Alu

Can be used individually, as well as in combination with MULTIPROP MRK Frames tableforms or shoring towers.



- MULTIPROP MP 120**
(0,80-1,20m)
- MULTIPROP MP 250**
(1,45-2,50m)
- MULTIPROP MP 350**
(1,95-3,50m)
- MULTIPROP MP 480**
(2,60-4,80m)
- MULTIPROP MP 625**
(4,30-6,25m)

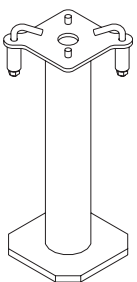
Weight kg	Item no.
10,40	027288
15,00	027289
18,80	027290
23,80	027291
33,60	027305



	L min.	L max.	A	B
MP 120	800	1200	715	421
MP 250	1450	2500	1365	1071
MP 350	1950	3500	1865	1571
MP 480	2600	4800	2515	2221
MP 625	4300	6250	4211	1975

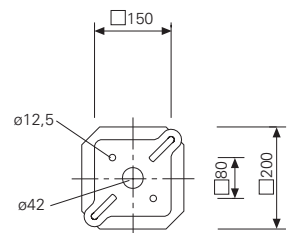
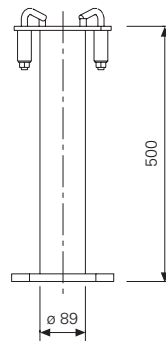
Base MP 50

With quick action clamp coupling.



For mounting props with 6 to 10mm thick end plates.

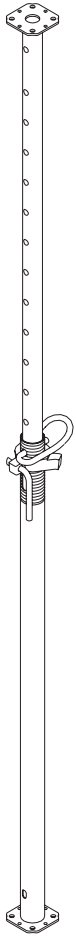
8,81 027310



PEP 20, PEP 30 Props

Weight kg Item no.

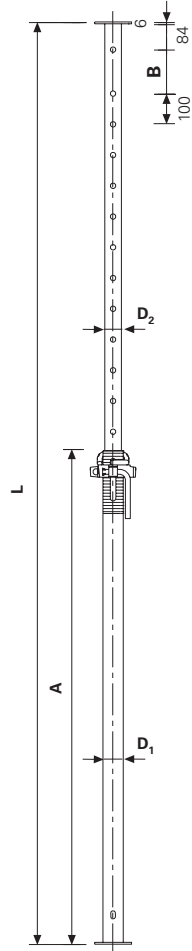
Props PEP 20, galv.



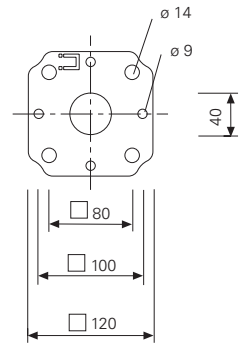
- PEP 20-300** L = 1,71-3,00m
- PEP 20-350** L = 1,96-3,50m
- PEP 20-400** L = 2,21-4,00m
- PEP 20-500** L = 2,71-5,00m

- 15,70 103058
- 19,20 103059
- 22,70 103060
- 30,50 103061

For load capacity refer to PERI Formwork Design Tables.

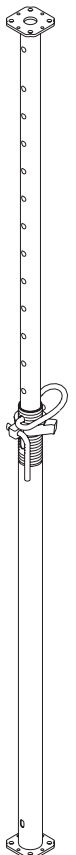


End Plate



	20-300	20-350	20-400	20-500
A	1602	1852	2102	2602
B	143	93	143	143
D₁	ø 66.0	ø 71.5	ø 75.5	ø 84.0
D₂	ø 54.0	ø 59.5	ø 63.5	ø 72.0

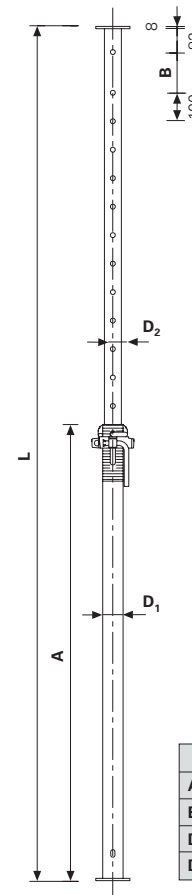
Props PEP 30, galv.



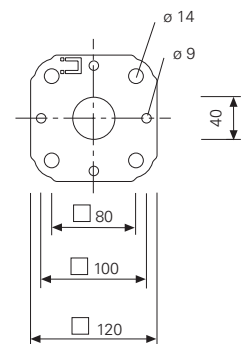
- PEP 30-150** L = 0,96-1,50m
- PEP 30-250** L = 1,46-2,50m
- PEP 30-300** L = 1,71-3,00m
- PEP 30-350** L = 1,96-3,50m
- PEP 30-400** L = 2,21-4,00m

- 10,40 103066
- 15,00 103067
- 18,70 103062
- 22,70 103063
- 27,20 103065

For load capacity refer to PERI Formwork Design Tables.



End Plate



	30-150	30-250	30-300	30-350	30-400
A	852	1352	1602	1852	2102
B	93	93	143	93	143
D₁	ø 66.0	ø 66.0	ø 71.5	ø 75.5	ø 84.0
D₂	ø 54.0	ø 54.0	ø 59.5	ø 63.5	ø 72.0



01 PERI GmbH
Rudolf-Diesel-Strasse
34-36 rue des Frères Lumière
89264 Weissenhorn
info@peri.de
www.peri.de



02 France
PERI S.A.S.
Zone Industrielle Nord
34-36 rue des Frères Lumière
77109 Meaux Cedex
peri.sas@peri.fr
www.peri.fr

03 Switzerland
PERI AG
Aspstraße 17
8472 Ohringen
info@peri.ch
www.peri.ch

04 Spain
PERI S.A. Sociedad
Unipersonal
Ctra. Paracuellos -
Fuente el Saz km. 18,9
Cno. de Malatones, km. 0,5
28110 Algete/Madrid
info@peri.es
www.peri.es

05 Belgium/Luxembourg
N.V. PERI S.A.
Industriepark
Nijverheidsstraat 6 PB 54
1840 Londerzeel
info@peri.be
www.peri.be

06 Netherlands
PERI B.V.
v. Leeuwenhoekweg 23
Postbus 304
5480 AH-Schijndel
info@peri.nl
www.peri.nl

07 USA
PERI Formwork Systems, Inc.
7135 Dorsey Run Road
Elkridge, MD 21075
info@peri-usa.com
www.peri-usa.com

08 Indonesia
PT Beton Perkasa Wijaksana
P.O. Box 3737
Jakarta 10210
bpw@betonperkasa.com
www.peri.de

09 Italy
PERI S.p.A.
Via G. Pascoli, 4
20060 Basiglio (MI)
info@peri.it
www.peri.it

10 Japan
PERI Japan K.K.
7F Hakozaki 314 Building,
31-4 Hakozaki-cho,
Nihonbashi Chuo-ku
Tokyo 103-0015
info@perijapan.jp
www.perijapan.jp

11 United Kingdom/Ireland
PERI Ltd.
Market Harborough Road
Clifton upon Dunsmore
Rugby, CV23 0AN
info@peri.ltd.uk
www.peri.ltd.uk

12 Turkey
PERI Kalip ve İskeleleri
San. ve Tic. Ltd. Sti.
Çakmaklı Mahallesi
Akçaburgaz Cad.
72. Sokak No: 23
Kıraç - Büyükköycece/İstanbul 34500
info@peri.com.tr
www.peri.com.tr

13 Hungary
PERI Kft.
Zádor u. 4.
1181 Budapest
info@peri.hu
www.peri.hu

14 Malaysia
PERI Formwork Malaysia
Sdn. Bhd.
Unit 19-07-4, Level 7
PNB Damansara
19 Lorong Dungun
Damansara Heights
50490 Kuala Lumpur
info@perimalaysia.com
www.perimalaysia.com

15 Singapore
PERI ASIA Pte. Ltd
Formwork Pte. Ltd.
No. 1 Sims Lane # 06-10
Singapore 387355
pha@periasia.com
www.periasia.com

16 Austria
PERI Ges.mbh
Traisenstraße 3
3134 Nußdorf ob der Traisen
office@peri.at
www.peri.at

17 Czech Republic
PERI spol. s r.o.
Průmyslová 392
252 42 Jesenice
info@peri.cz
www.peri.cz

18 Denmark
PERI Danmark A/S
forskalling og stillads
Greve Main 26
2670 Greve
peri@peri.dk
www.peri.dk

19 Finland
PERI Suomi Ltd. Oy
Hakakalliontie 5
05460 Hyvinkää
info@perisuomi.fi
www.perisuomi.fi

20 Norway
PERI NORGE AS
Dråpen 9
3036 Drammen
info@peri.no
www.peri.no

21 Poland
PERI Polska Sp. z o.o.
ul. Stoleczna 62
05-860 Plochocin
info@peri.pl.pl
www.peri.pl.pl

22 Sweden
PERIFORM SVERIGE AB
Montörgatan 4-6
Box 9073
30013 Halmstad
peri@periform.se
www.periform.se

23 Korea
PERI (Korea) Ltd.
8-9th Fl., Yuseong Bldg.
830-67, Yeoksam-dong,
Kangnam-ku,
Seoul 135-080
info@perikorea.com
www.perikorea.com

24 Portugal
PERIcofragens Lda.
Cofragens e Andaimes
Rua Cesário Verde,
nº 5 - 3º Esq.
Linda-a-Pastora
2790-326 Queijas
info@peri.pt
www.peri.pt

25 Argentina
PERI S.A.
Ruta Nacional N°. 9, km 47,5
(Panamericana Ramal Escobar)
(1625) Escobar/Prov. Bs. As.
info@peri.com.ar
www.peri.com.ar

26 Brazil
PERI Formas e
Escoramentos Ltda.
Rodovia Raposo Tavares,
km 41
Colinas Bandeirante
CEP 06730-000
Vargem Grande Paulista
São Paulo
info@peribrasil.com.br
www.peribrasil.com.br

27 Chile
PERI Chile Ltda.
C/José de San Martín N° 104
Parque Industrial Los
Libertadores
Colina, Santiago de Chile
perich@peri.cl
www.peri.cl

28 Romania
PERI România SRL
Calea Bucureşti nr. 2B
077015 Baloteşti - ILFOV
info@peri.ro
www.peri.ro

29 Slovenia
PERI SLOWENIEN
Goran Opalic
Obrežna 137
2000 Maribor
peri.slo@triera.net
www.peri.de

30 Slovakia
PERI spol. s r.o.
Šamorínska 18
903 01 Senec
info@peri.sk
www.peri.sk

31 Australia
PERI Australia Pty. Ltd.
116 Glendenning Road
Glendenning NSW 2761
info@periaus.com.au
www.periaus.com.au

32 Estonia
PERI AS
Valdmäe 8
Taanassilma Tehnospark
76401 Saku vald
Harjumaa
peri@peri.ee
www.peri.ee



- 33 Greece**
PERI Hellas Ltd.
Sokratous Str.
5th kil. Koropi-Varis Ave.
P. O. Box 407
194 00 Koropi
info@perihellas.gr
www.perihellas.gr
- 34 Latvia**
PERI SIA
Granita 26
1057 Riga
info@peri-latvija.lv
www.peri-latvija.lv
- 35 United Arab Emirates**
PERI (L.L.C.)
Brashy Building,
Office No. 212
Shk. Zayed Road
P.O. Box 27933
Dubai
perillc@perime.com
www.perime.com
- 36 Canada**
PERI Formwork Systems, Inc.
45 Nixon Road
Bolton, Ontario
L7E 1K1
info@peri.ca
www.peri.ca
- 37 Libanon**
PERI GmbH
Lebanon Representative
Office
AYA Commercial Center,
7th floor,
Dora Highway,
Beirut
P.O. Box 90 416 Jdeidet
lebanon@peri.de
www.peri.de
- 38 Lithuania**
PERI UAB
Titnago st. 19
02300 Vilnius
info@peri.lt
www.peri.lt
- 39 Marocco**
PERI S.A.
Route de Rabat, km. 5
Piste de Beni Touzine
Tanger
peri25@menara.ma
www.peri.de
- 40 Israel**
PERI Formwork
Engineering Ltd
16 Moshe Dayan st.,
P.O. Box 10202
Petach Tikva,
49002 Israel
info@peri.co.il
www.peri.co.il
- 41 Bulgaria**
PERI BULGARIA EOOD
Kv. Vragdebna
m. Nova Machala Nr. 46
1839 – Sofia
peri.bulgaria@peri.bg
www.peri.bg
- 42 Iceland**
MEST Ltd.,
Fornubudum 5
220 Hafnarfjordur
mest@mest.is
www.mest.is
- 43 Kazakhstan**
TOO PERI Kazakhstan
Rubenstein Street 10
(Corner Dostyk Str. 7)
050010 Almaty
peri@peri.kz
www.peri.kz
- 44 Russian Federation**
OOO PERI
8 Etage, OOO PERI Buro
Krasnaya Presnya Str. 24
123022 Moskau
moscow@peri.ru
www.peri.ru
- 45 South Africa**
PERI Wiehahn (Pty.) Ltd.
P.O. Box 2668
Bellville 7535
ask@wiehahn.co.za
www.periwiehahn.co.za
- 46 Ukraine**
TOW PERI Ukraina
23, M. Raskowa Str., B. 822
02002 Kiew
peri@peri.ua
www.peri.ua
- 47 Egypt**
PERI GmbH
Egypt Branch Office
24 A, Obour Gardens,
4th Floor, apt. # 1
Salah Salem Street
11361 Heliopolis
Cairo
info@peri.com.eg
www.peri.com.eg
- 48 Serbia**
PERI Oplate d.o.o.
Jurija Gagarina 81
11070 Novi Beograd
office@peri.co.yu
www.peri.co.yu
- 49 Mexico**
PERI Cimbras y Andamios,
S.A. de C.V.
Parque de las Américas
KM 3.5 Carretera
Jorobas – Tula
Huehuetoca
Estado de México,
C.P. 54680
info@peri.com.mx
www.peri.com.mx
- 50 Azerbaijan**
PERI Kalıp ve İskeleleri
Baku Branch Office
28 May Küç. Ev 72 Menzil 27
Baku
peribaku@peri.com.tr
www.peri.com.tr
- 51 Turkmenistan**
PERI Kalıp ve İskeleleri
Aşgabat Branch Office
Göroglu Sokak No. 130, Kat 2
744035 Aşgabat
periashgabat@peri.com.tr
www.peri.com.tr
- 52 Belorussia**
PERI Belarus
Pr. Nesawisimosti 11
Kopus-2 Zimmer: 526,528
220030 Minsk
peri@mail.belpak.by
www.peri.com.tr
- 53 Croatia**
PERI oplate i skele d.o.o.
Dolenica 20
10 250 Donji Stupnik/
Zagreb
info@peri.com.hr
www.peri.com.hr
- 54 Iran**
PERI GmbH
Iran Branch Office
Flat 27, 5th floor, KAVE BLVD,
Building No. 246
P.O. Box 1939793669
Teheran-Iran
iran@peri.ir
www.peri.ir
- 55 India**
PERI (India) Pvt Ltd
717 Palm Springs
Palm Court
Malad Link Road
Malad (West)
Mumbai – 400064
info@peri.in
www.peri.in
- 56 Jordan**
PERI Jordan
Saad 5 Center, 4th Floor
Office No. 404
Al Madineh
Al Munawara Street
P.O. Box 367
11947 Amman
jordan@peri.de
www.peri.de
- 57 Kuwait**
PERI Kuwait
Arraya Center, 29th Floor
Al-Shuhada Street, Sharq
P.O. Box 1060 Safat
13011 Kuwait
kuwait@peri.de
www.peri.de
- 58 Saudi Arabia**
PERI Saudi Arabia
33 ALBatraa Street
AL - Shurbatiy Building
AL - Bughdadiyah AL -
Gharbiah Distrect
6th Floor, Flat # 61
P.O. Box 11641
Jeddah
saudi-arabia@peri.de
www.peri.de
- 59 Qatar**
PERI Qatar LLC
P.O. Box 24133
Doha
qatar@peri.de
www.peri.de
- 60 Algeria**
Société PERI S.A.S.
Bureau de liaison d'Alger
50 bis, Route de Gué
de Constantine
Hai El Badr (ex Apreval)
Immeuble FADLI
Kouba - Alger
peri.alger@peri.fr
www.peri.fr
- 61 Albania**
Autostrada TIRANE-DURRES
Km 2 Rr dytesore
ne krah te Vodafonit
Perballe ARDENOS FUSHE -
MEZES TIRANE
Tirane / ALBANIA
info@peri.com.tr
www.peri.com.tr
- 62 Peru**
Av. Defensores
del Morro 2074
Chorrillos
Lima
Peru
jeanpierre.saux@peri.com.pe

PERI Product Range



Wall Formwork

Panel Formwork
Girder Formwork
Circular Formwork
Facade Formwork
Brace Frame



Climbing Systems

Climbing Scaffold
Self-Climbing System
Climbing Protection Panel
Platform Systems



Column Formwork

Square
Rectangular
Circular



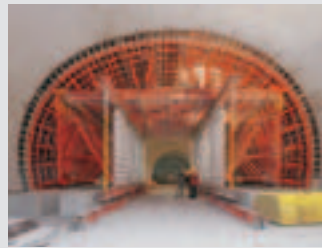
Scaffold, Stairways, Working Platforms

Facade Scaffold
Working Platform
Weather Protection Roof
Stairway Access



Slab Formwork

Panel Formwork
Beam Grid Formwork
Girder Formwork
Slab Table
Beam Formwork



Bridge and Tunnel Formwork

Cantilevered Parapet Carriage
Cantilevered Parapet Platform
Engineer's Construction Kit



Shoring Systems

Steel Slab Props
Aluminium Slab Props
Tower Systems
Heavy-Duty Props



Services

Formwork Assembly
Cleaning / Repairs
Formwork Planning
Software
Statics
Special Constructions

Additional Systems

Plywood
Formwork Girders
Stopend Systems
Pallets
Transportation Containers



PERI GmbH Formwork Scaffolding Engineering

P.O. Box 1264
89259 Weissenhorn
Germany
Tel +49 (0)73 09.9 50-0
Fax +49 (0)73 09.9 51-0
info@peri.de
www.peri.de