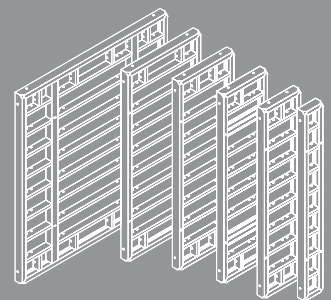
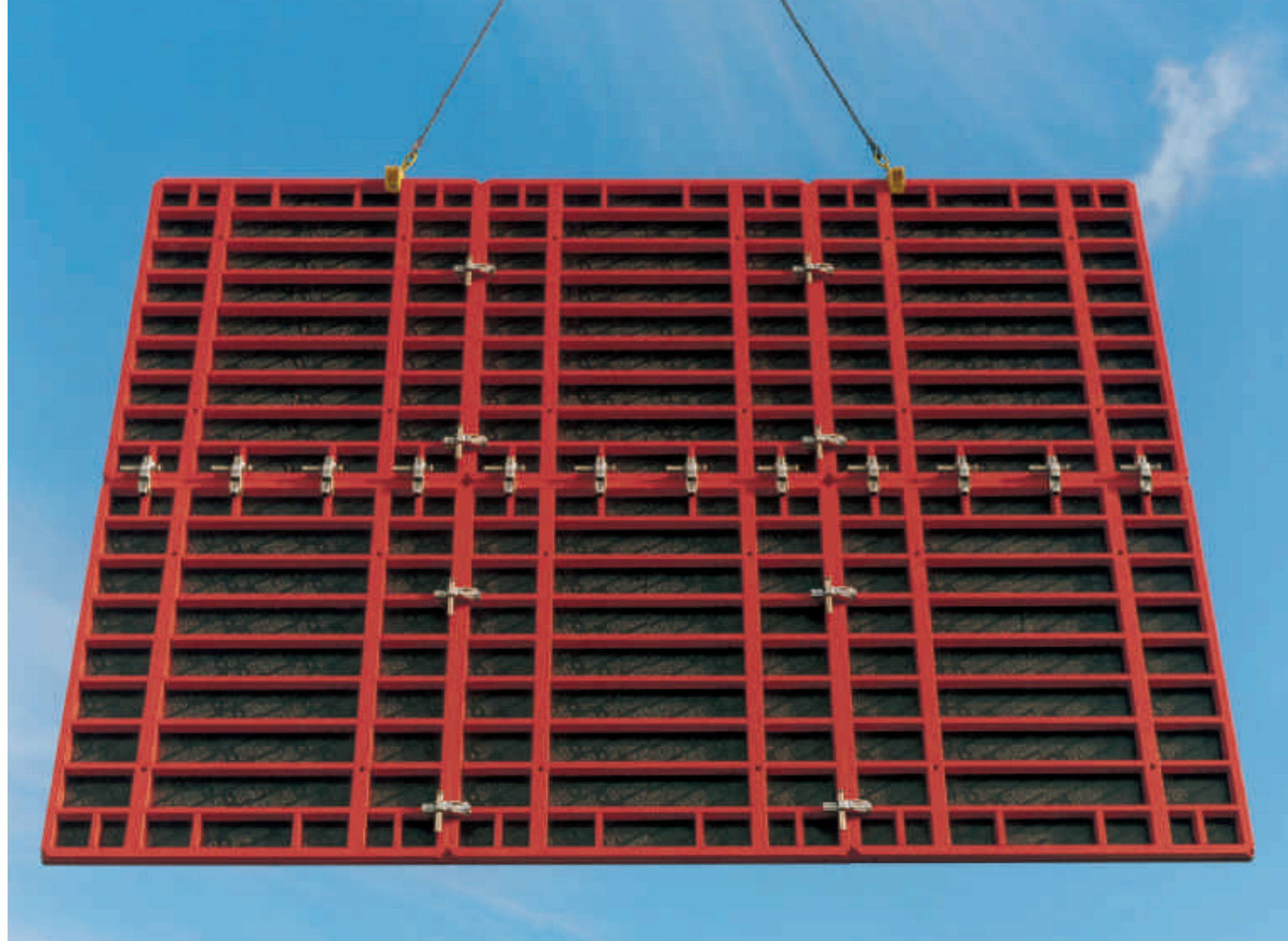


# TRIO

## Panel Formwork

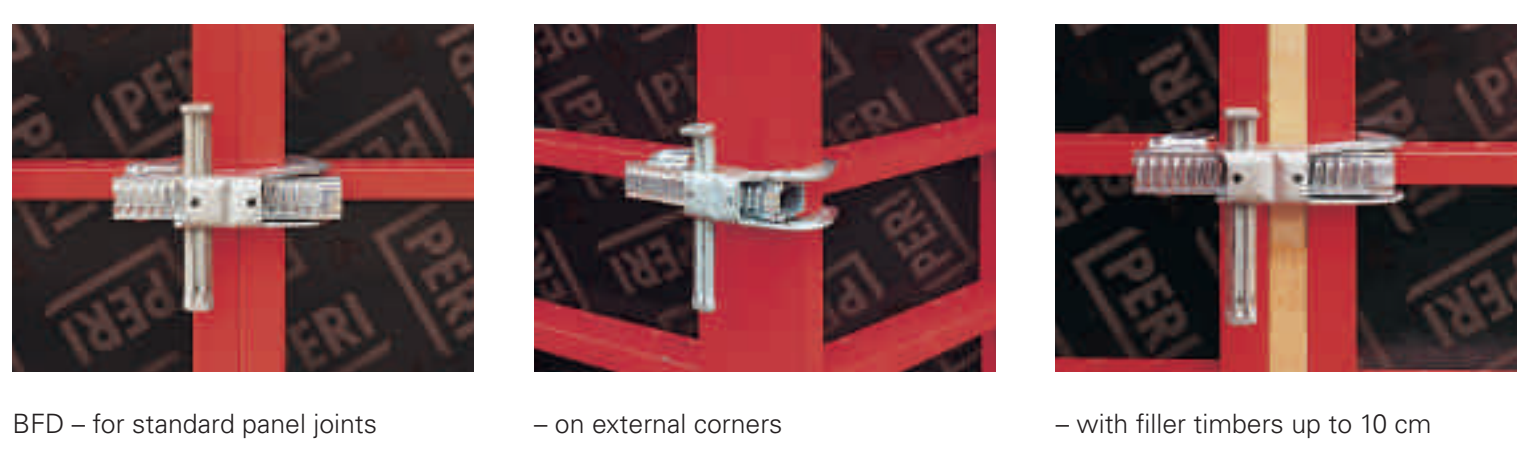
Poster



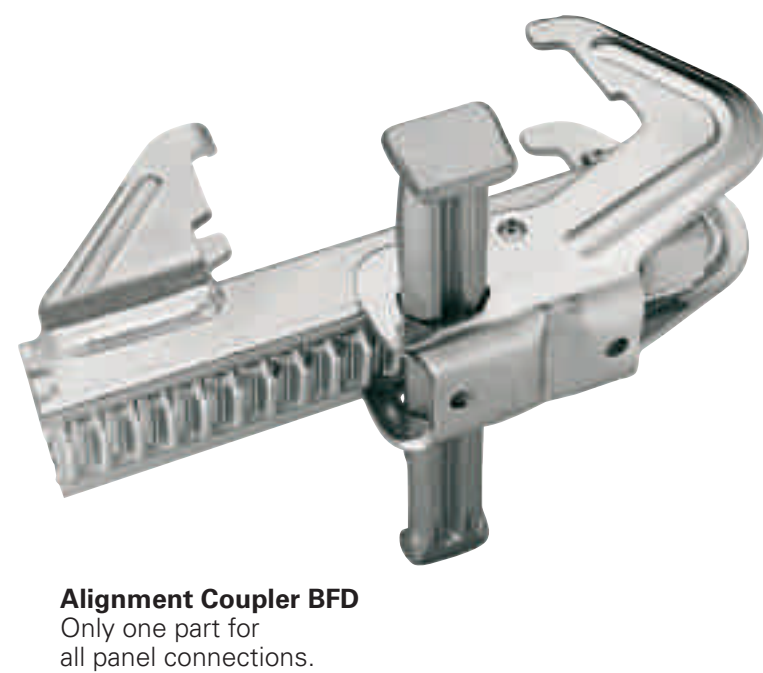


# TRIO

The panel formwork with the BFD coupler system



BFD – for standard panel joints – on external corners – with filler timbers up to 10 cm



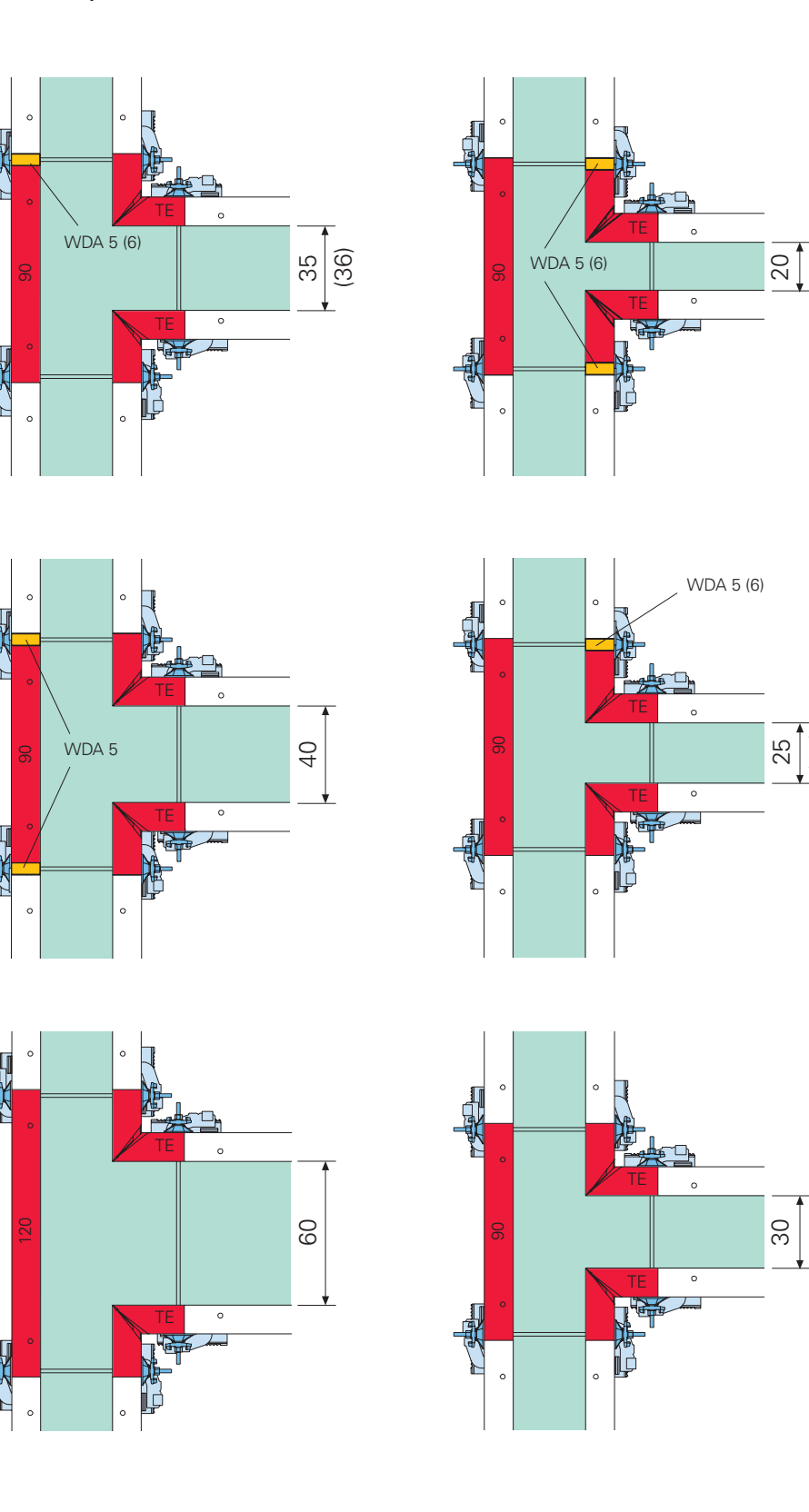
Alignment Coupler BFD

## 6. T-Junctions

Basic rules for T-Junctions  
Wall thicknesses 18 – 40 cm and 60 cm

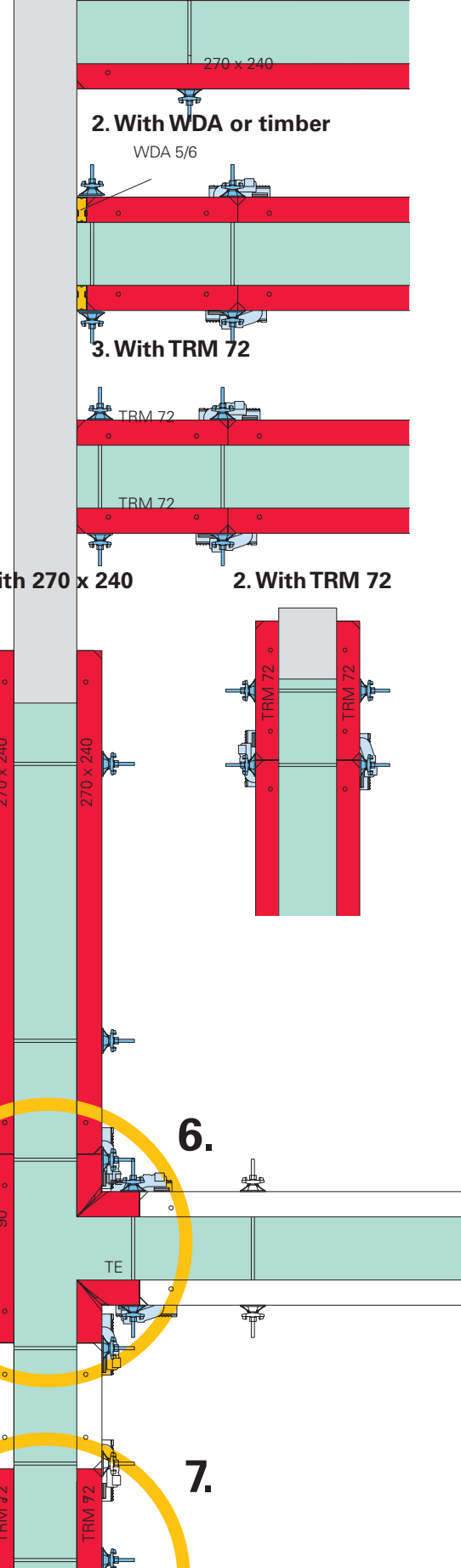
External formwork: with Panel TR 90  
Internal formwork: with TRIO Corner TE

Adapting to wall thicknesses using TRIO Wall Thickness Compensation WDA 5, WDA 6 or timber infills.



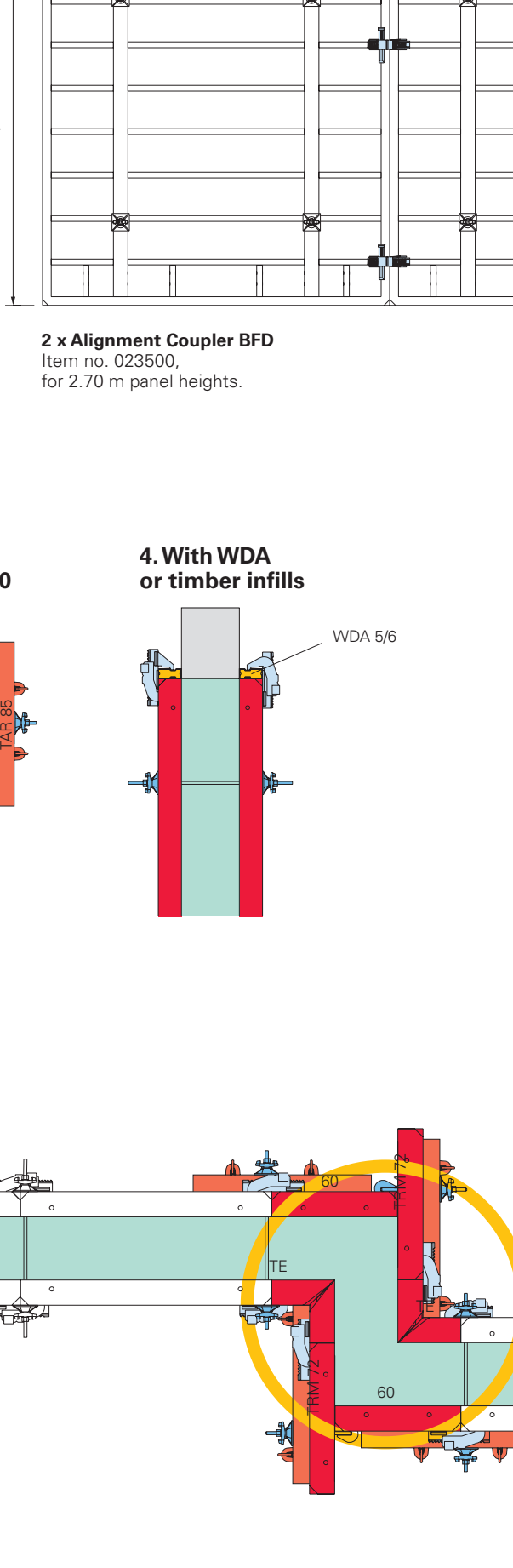
## 8. Wall Connections

1. With 270 x 240  
2. With WDA or timber  
3. With TRM 72



## 1. Panel Connections

2 x Alignment Coupler BFD  
for 2.70 m panel heights.

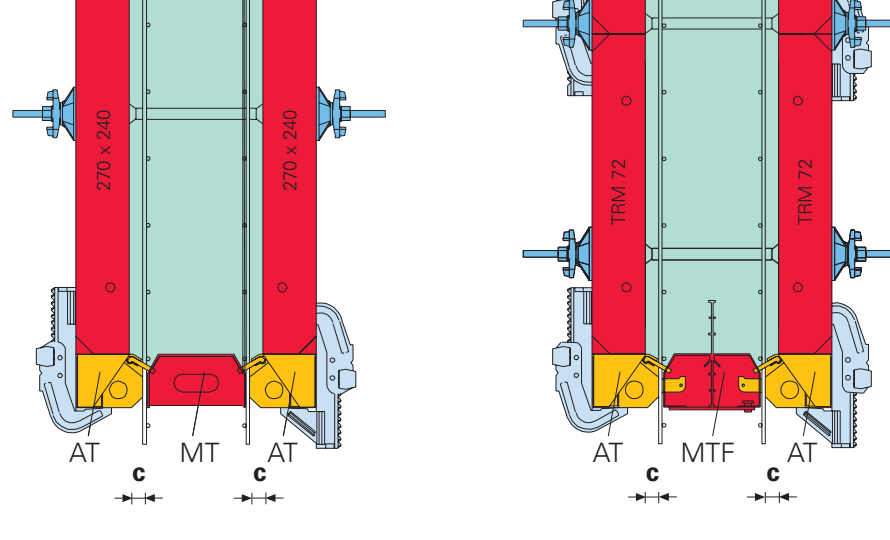


## 7. Stopped Formwork

With the TRIO Stopped Panel MAT/MTF for continuous reinforcement, with or without waterstop bar.

Centre Piece MT, without waterstop bar

Centre Piece MTF, with waterstop bar



The concrete cover c is 2.5 cm or 5 cm.

## Push-Pull Props and Kickers

They are connected to the panel with the appropriate brace connector. Fixing to the ground with associated Base Plates and, e.g. Anchor Bolt PERI 1420 x 130.

Table for PERI Push-Pull Props and Kickers – standard application

For more information: see TRIO assembly instructions

Form. width of influence [m]	System 1				System 2			
	3.00	4.50	6.00	7.50	6.00	7.50	9.00	10.50
Actual pull force [kN]	115	165	215	265	115	165	215	265
Actual push force [kN]	27	39	51	63	27	39	51	63
Resulting force [kN]	142	204	266	328	142	204	266	328
Angle of resulting vector [°]	52.4	51.1	51.1	48.4	48.2	48.2	48.2	48.2
Lifting force [kN]	27	24	24	24	27	24	24	24
Distance of base plate from rear edge of formwork [cm]	16	12	10	10	16	12	10	10
Y [cm]	1.50	0.92	0.58	0.38	0.51	0.24	0.16	0.11
Remarks	- Wind loads according to DIN EN 1991-1-4 - c = 2.5 cm or 5 cm - Wind Dir. 2 = 1st Quarter - Applied pressure coefficient $c_{pe}$ = 1.8 - See Diagram below - Formwork in vertical position on ground - G = surface area weight of the formwork including platform.							

## TRIO Panels

Panel	240	120	90	60	30	72	TE	TRM 72	TGE
TR 270	0.48 0.2570 325.00 kg	3.24 0.2250 163.00 kg	2.43 0.2250 163.00 kg	1.62 0.2250 163.00 kg	0.81 0.2250 163.00 kg	1.94 0.2250 163.00 kg	1.62 0.2250 163.00 kg	1.94 0.2250 163.00 kg	1.62 0.2250 163.00 kg
TR 120	2.88 0.2250 163.00 kg	1.44 0.2250 163.00 kg	1.08 0.2250 163.00 kg	0.72 0.2250 163.00 kg	0.36 0.2250 163.00 kg	0.86 0.2250 163.00 kg	0.72 0.2250 163.00 kg	0.86 0.2250 163.00 kg	0.72 0.2250 163.00 kg
TR 60	0.72 0.2250 163.00 kg	0.54 0.2250 163.00 kg	0.36 0.2250 163.00 kg	0.18 0.2250 163.00 kg	0.09 0.2250 163.00 kg	0.43 0.2250 163.00 kg	0.36 0.2250 163.00 kg	0.43 0.2250 163.00 kg	0.36 0.2250 163.00 kg
TRA 270	1.68 0.2390 23.30 kg	2.43 0.2390 23.30 kg	1.62 0.2390 23.30 kg	0.81 0.2390 23.30 kg	0.41 0.2390 23.30 kg	1.62 0.2390 23.30 kg	1.62 0.2390 23.30 kg	1.62 0.2390 23.30 kg	1.62 0.2390 23.30 kg
TRA 90	1.68 0.2390 23.30 kg	0.54 0.2390 23.30 kg	0.36 0.2390 23.30 kg	0.18 0.2390 23.30 kg	0.09 0.2390 23.30 kg	0.43 0.2390 23.30 kg	0.36 0.2390 23.30 kg	0.43 0.2390 23.30 kg	0.36 0.2390 23.30 kg

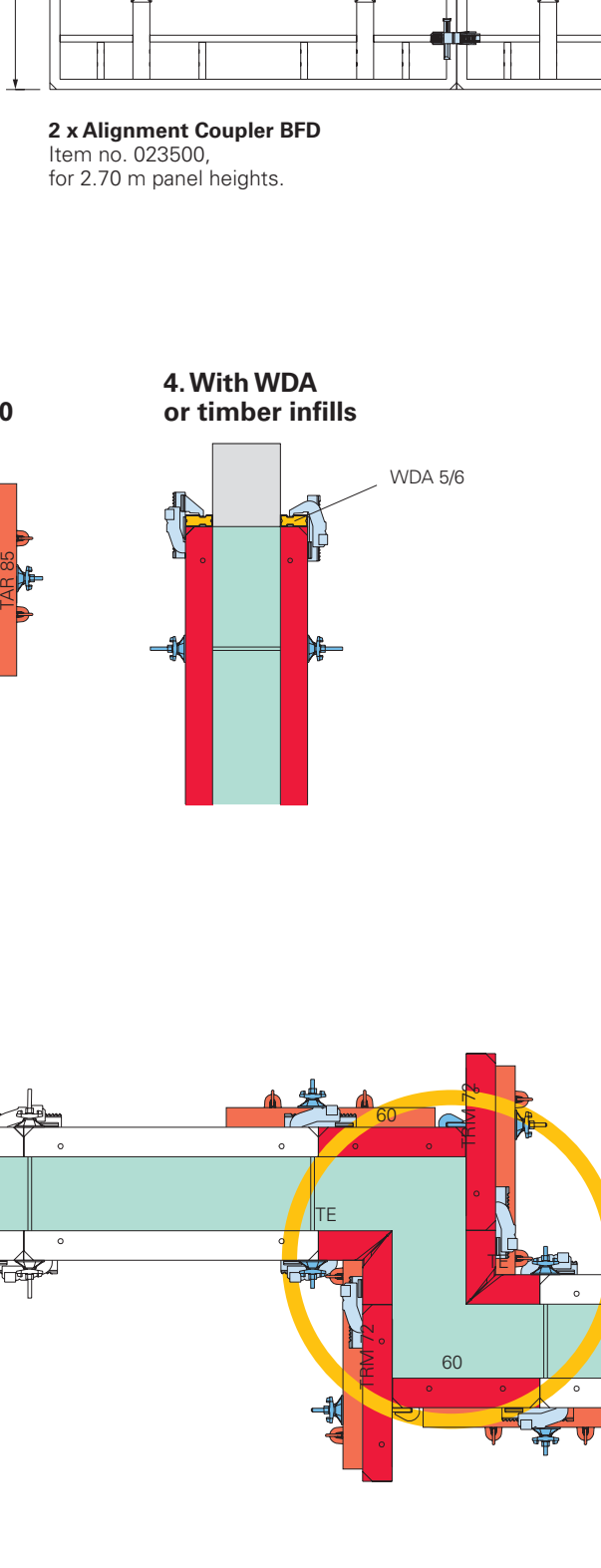
## 3. Corners

Basic rules for corners  
Wall thicknesses 18 - 40 cm

Adapting to required wall thickness with Wall Thickness Compensation WDA 5, WDA 6 or timber infills

Internal formwork: with TRIO Corner TE

Connection: 2 x BFD Alignment Couplers for h = 2.70 m



## 5. Wall Offsets

Up to max. 20 cm

Lower TAR 85 to be fixed from below

Additional BFD for 12 cm offsets upwards

Hook Tie PERI 100 x 100

Variable filler timber

Up to max. 86 cm

Hook Tie PERI 100 x 100

Variable filler timber

Variable filler timber

Variable filler timber

Variable filler timber

Variable filler timber

Variable filler timber

Variable filler timber

Variable filler timber

Variable filler timber

Variable filler timber

Variable filler timber

Variable filler timber

Variable filler timber

Variable filler timber

Variable filler timber

Variable filler timber

Variable filler timber

Variable filler timber

Variable filler timber

Variable filler timber

Variable filler timber

Variable filler timber

Variable filler timber

Variable filler timber

Variable filler timber

Variable filler timber

Variable filler timber

Variable filler timber

Variable filler timber

Variable filler timber

Variable filler timber

Variable filler timber

Variable filler timber

Variable filler timber

Variable filler timber

Variable filler timber

## 4. Oblique Angles

TRIO Articulated Corner TGE – for internal and external corners alike.

Internal formwork: with Panels TR 60 or TR 30 and articulated corners

Internal panel connection: 4 BFD couplers

Articulated Corner TGE 270 Item no. 023200

Articulated Corner TGE 120 Item no. 023300

Articulated Corner TGE 120 Item no. 023300

Articulated Corner TGE 120 Item no. 023300

Articulated Corner TGE 120 Item no. 023300

Articulated Corner TGE 120 Item no. 023300

Articulated Corner TGE 120 Item no. 023300

Articulated Corner TGE 120 Item no. 023300

Articulated Corner TGE 120 Item no. 023300

Articulated Corner TGE 120 Item no. 023300

Articulated Corner TGE 120 Item no. 023300

Articulated Corner TGE 120 Item no. 023300

Articulated Corner TGE 120 Item no. 023300

Articulated Corner TGE 120 Item no. 023300

Articulated Corner TGE 120 Item no. 023300

Articulated Corner TGE 120 Item no. 023300

Articulated Corner TGE 120 Item no. 023300

Articulated Corner TGE 120 Item no. 023300

Articulated Corner TGE 120 Item no. 023300

Articulated Corner TGE 120 Item no. 023300

Articulated Corner TGE 120 Item no. 023300

Articulated Corner TGE 120 Item no. 023300

Articulated Corner TGE 120 Item no. 023300

Articulated Corner TGE 120 Item no. 023300

Articulated Corner TGE 120 Item no. 023300

Articulated Corner TGE 120 Item no. 023300

Articulated Corner TGE 120 Item no. 023300

Articulated Corner TGE 120 Item no. 023300

Articulated Corner TGE 120 Item no. 023300

Articulated Corner TGE 120 Item no. 023300

Articulated Corner TGE 120 Item no. 023300

Articulated Corner TGE 120 Item no. 023300

Articulated Corner TGE 120 Item no. 023300

Articulated Corner TGE 120 Item no. 023300

Articulated Corner TGE 120 Item no. 023300

Articulated Corner TGE 120 Item no. 023300

Articulated Corner TGE 120 Item no. 023300

Articulated Corner TGE 120 Item no. 023300

Articulated Corner TGE 120 Item no. 023300

Articulated Corner TGE 120 Item no. 023300

Articulated Corner TGE 120 Item no. 023300

Articulated Corner TGE 120 Item no. 023300

Articulated Corner TGE 120 Item no. 023300

Articulated Corner TGE 120 Item no. 023300

Articulated Corner TGE 120 Item no. 023300

Articulated Corner TGE 120 Item no. 023300

Articulated Corner TGE 120 Item no. 023300

Articulated Corner TGE 120 Item no. 023300

Articulated Corner TGE 120 Item no. 023300

Articulated Corner TGE 120 Item no. 023300

Articulated Corner TGE 120 Item no. 023300

Articulated Corner TGE 120 Item no. 023300

Articulated Corner TGE 120 Item no. 023300

Articulated Corner TGE 120 Item no. 023300

Articulated Corner TGE 120 Item no. 023300

Articulated Corner TGE 120 Item no. 023300

Articulated Corner TGE 120 Item no. 023300

Articulated Corner TGE 120 Item no. 023300

Articulated Corner TGE 120 Item no. 023300

Articulated Corner TGE 120 Item no. 023300

Articulated Corner TGE 120 Item no. 023300

Articulated Corner TGE 120 Item no. 023300

Articulated Corner TGE 120 Item no. 023300

Articulated Corner TGE 120 Item no. 023300

## 9. Shafts

The TRIO Shaft Element TSE allows complete shaft formwork units to be moved as one single unit.

Shaft Element TSE 270, Item no. 105823

Shaft Element TSE 120, Item no. 105824

Shaft Element TSE 120, Item no. 105824

Shaft Element TSE 120, Item no. 105824

Shaft Element TSE 120, Item no. 105824

Shaft Element TSE 120, Item no. 105824

Shaft Element TSE 120, Item no. 105824

Shaft Element TSE 120, Item no. 105824

Shaft Element TSE 120, Item no. 105824

Shaft Element TSE 120, Item no. 105824

Shaft Element TSE 120, Item no. 105824

Shaft Element TSE 120, Item no. 105824

Shaft Element TSE 120, Item no. 105824

Shaft Element TSE 120, Item no. 105824

Shaft Element TSE 120, Item no. 105824

Shaft Element TSE 120, Item no. 105824

Shaft Element TSE 120, Item no. 105824

Shaft Element TSE 120, Item no. 105824

Shaft Element TSE 120, Item no. 105824

Shaft Element TSE 120, Item no. 105824

Shaft Element TSE 120, Item no. 105824

Shaft Element TSE 120, Item no. 105824

Shaft Element TSE 120, Item no. 105824

Shaft Element TSE 120, Item no. 105824

Shaft Element TSE 120, Item no. 105824

Shaft Element TSE 120, Item no. 105824

Shaft Element TSE 120, Item no. 105824

Shaft Element TSE 120, Item no. 105824

Shaft Element TSE 120, Item no. 105824

Shaft Element TSE 120, Item no. 105824

Shaft Element TSE 120, Item no. 105824

Shaft Element TSE 120, Item no. 105824

Shaft Element TSE 120, Item no. 105824

Shaft Element TSE 120, Item no. 105824

Shaft Element TSE 120, Item no. 105824

Shaft Element TSE 120, Item no. 105824

Shaft Element TSE 120, Item no. 105824

Shaft Element TSE 120, Item no. 105824

Shaft Element TSE 120, Item no. 105824

Shaft Element TSE 120, Item no. 105824

Shaft Element TSE 120, Item no. 105824

Shaft Element TSE 120, Item no. 105824

Shaft Element TSE 120, Item no

**The optimal System  
for every Project and  
every Requirement**



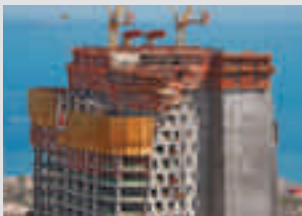
**Wall Formwork**



**Column Formwork**



**Slab Formwork**



**Climbing Systems**



**Bridge Formwork**



**Tunnel Formwork**



**Shoring Systems**



**Construction Scaffold**



**Facade Scaffold**



**Industrial Scaffold**



**Access**



**Protection Scaffold**



**Safety Systems**



**System-Independent Accessories**



**Services**



**PERI GmbH**  
**Formwork Scaffolding Engineering**  
 Rudolf-Diesel-Strasse 19  
 89264 Weissenhorn  
 Germany  
 Tel. +49 (0)7309.950-0  
 Fax +49 (0)7309.951-0  
 info@peri.de  
 www.peri.de